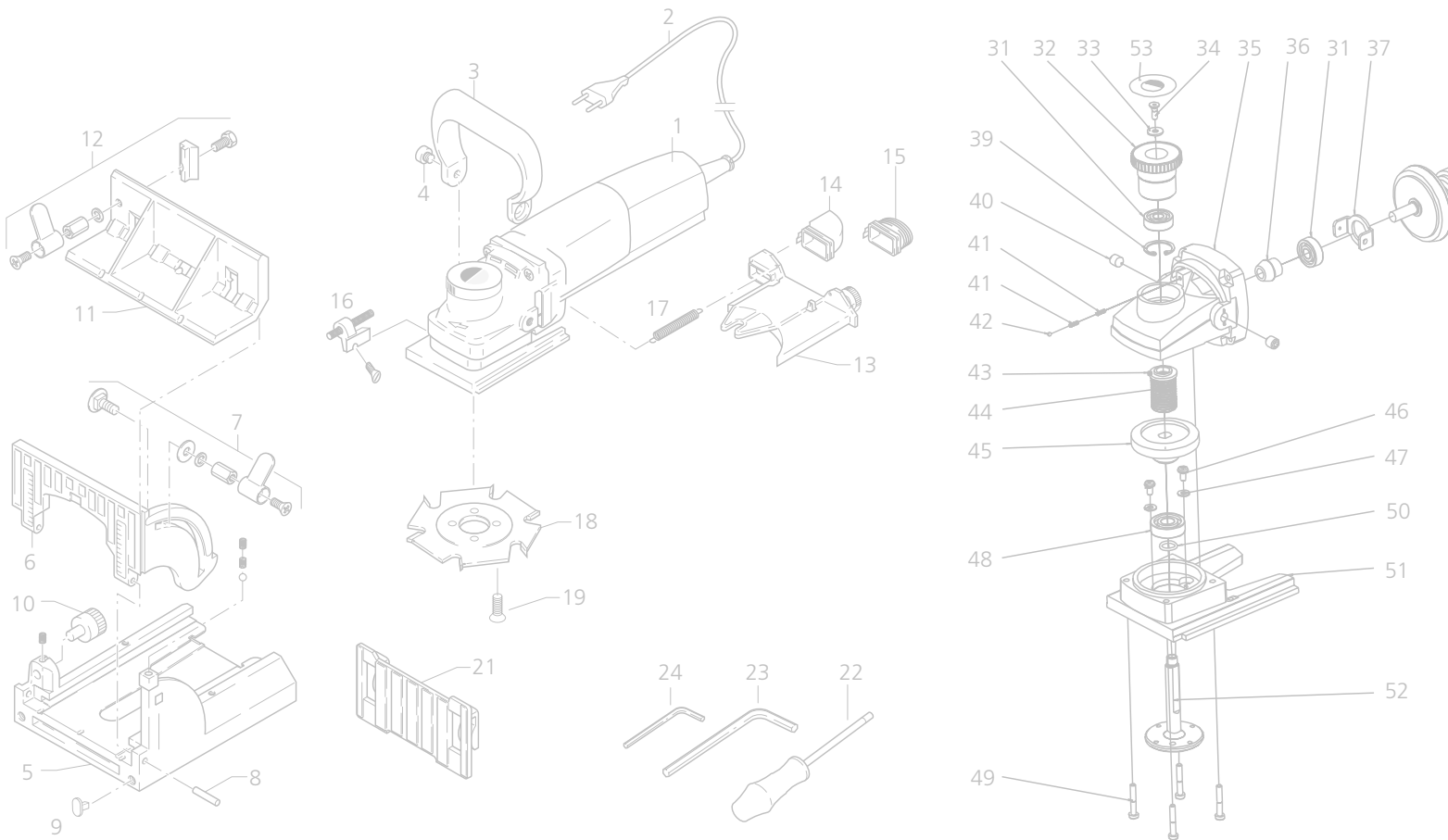




Spare parts, Accessories/Tools

Machines



January 2023

Remarks: Lamello has made – and will continue to make – great efforts to provide and up-to-date information. However, we cannot guarantee that the information contained here is accurate or complete. We reserved the right to carry out technical modifications at any time without prior notice. Our general terms and conditions of sale are applicable.



Spare parts Machines

Biscuit joiner		5–37
Zeta, Zeta P2 (L44 EZ)	Spare parts	5–6
Zeta P2 cordless (L84)	Spare partss	7–8
Zeta, Zeta P2 (L44 EZ), Zeta P2 cordless (L84)	Accessories/Toolss	9–12
Top 21 (L44 E)	Spare parts	13–14
	Accessories/Tools	15–18
Top 20 S4 (L44E)	Spare parts	19–20
	Accessories/Tools	21
Variocut (L44E)	Spare parts	22
	Accessories/Tools	23
Top 20 S4 ¹ , Variocut (L44E)	Spare parts	24
Classic X (L81)	Spare parts	25–26
Classic X (L82)	Spare parts	27–28
Classic X cordless (L83)	Spare parts	29–30
Classic X (L81), Classic X (L82), Classic X cordless (L83)	Accessories/Tools	31–34
Classic C3 (L46)	Spare parts	35–36
	Accessories/Tools	37
Wood repairing machines		38–47
G20 S2 (L62)	Spare parts	38
G2A (L81 / L46 / L45)	Spare parts	39
	Accessories/Tools	40
Patchmaker 2 (L51)	Spare parts	41–42
	Accessories/Tools	43
Patchmaker 2 – Saw unit L49 (D7640H) until 2012	Spare parts	44
	Accessories/Tools	45
Patchmaker 2 – Saw unit L52 from 2013	Spare parts	46
	Accessories/Tools	47
Multipurpose cutters		48–55
Tanga Delta (L73, L74)	Spare parts	48–49
	Accessories/Tools	50–52
Tanga DX200 (L75)	Spare parts	53
	Accessories/Tools	54–55

Continued on next page



Edge milling machines		56–61
Profila Pro (P53), Profila Pro Plus (P52)	Spare parts	56
	Accessories/Tools	57
Profila P2 (P51), Profila Pro (P53)	Spare parts	58
	Accessories/Tools	59
Profila E (L48)	Spare parts	60
	Accessories/Tools	61
Laminate trimmer		62–63
Lamina E2 (L56)	Spare parts	62
	Accessories/Tools	63
Flush milling machines		64–69
Cantex Ergo (L63)	Spare parts	64–65
	Accessories/Tools	66
Plano 45 S2 (L60 S2)	Spare parts	67–68
	Accessories/Tools	69
Special machine		70
3S Pa	Spare parts	70

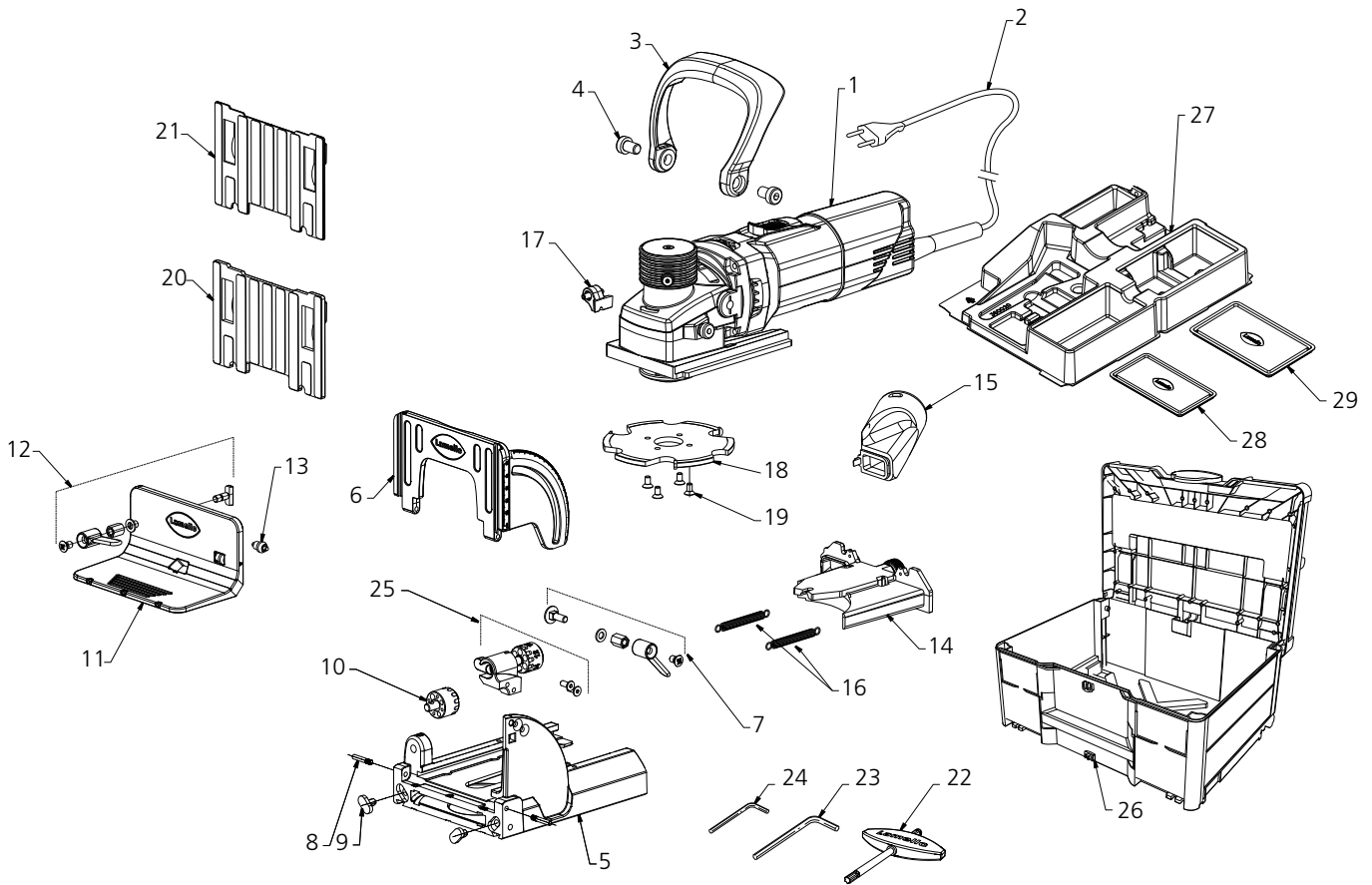
Click on the product name to get to the relevant page



Zeta, Zeta P2 (L44 EZ)

Biscuit joiner

Spare parts



Pos.	Description	Art. No.	Availability
1	Electric motor L44 EZ, complete, with guide and vertical mechanical drive 230 V DE	304441DE	
	Electric motor L44 EZ, complete, with guide and vertical mechanical drive 230 V CH	304441CH	
	Electric motor L44 EZ, complete, with guide and vertical mechanical drive 120 V US	304441US	
	Electric motor L44 EZ, complete, with guide and vertical mechanical drive 230 V GB	304441GB	
	Electric motor L44 EZ, complete, with guide and vertical mechanical drive 230 V AU	304441AU	
2	Cable with EU-plug Typ C, 2 x 1 mm ² , Ø 8.1 mm	313720	
	Cable with Schuko-plug Typ F, 2 x 1 mm ² , Ø 8.1 mm	313721	
	Cable with US-plug, 2 x 1 mm ² , Ø 8.1 mm	315012	
	Cable with GB-plug, 2 x 1 mm ² , Ø 8.1 mm	315016	
	Cable with AUS / NZ-plug, 2 x 1 mm ² , Ø 8.1 mm	315013	
3	Handle	251015	
4	Cheese head screw M8 x 12 mm	352812	
5, 6, 7, 8, 9, 10, 25	Baseplate with swivelling stop for Zeta	251040	
6	Swivelling stop	251042	
7	Clamping lever complet for swivelling stop	251047	
8	Hinge bolt	341020	
9	Anti-slip pad	331050	
10	Depth adjuster	251012	
11, 12, 13	Stop square	251044	
12	Clamping jaw with clamping lever for stop square	251046	
13	Roll for stop square	251049	
14	Cassette with central locking	251055	

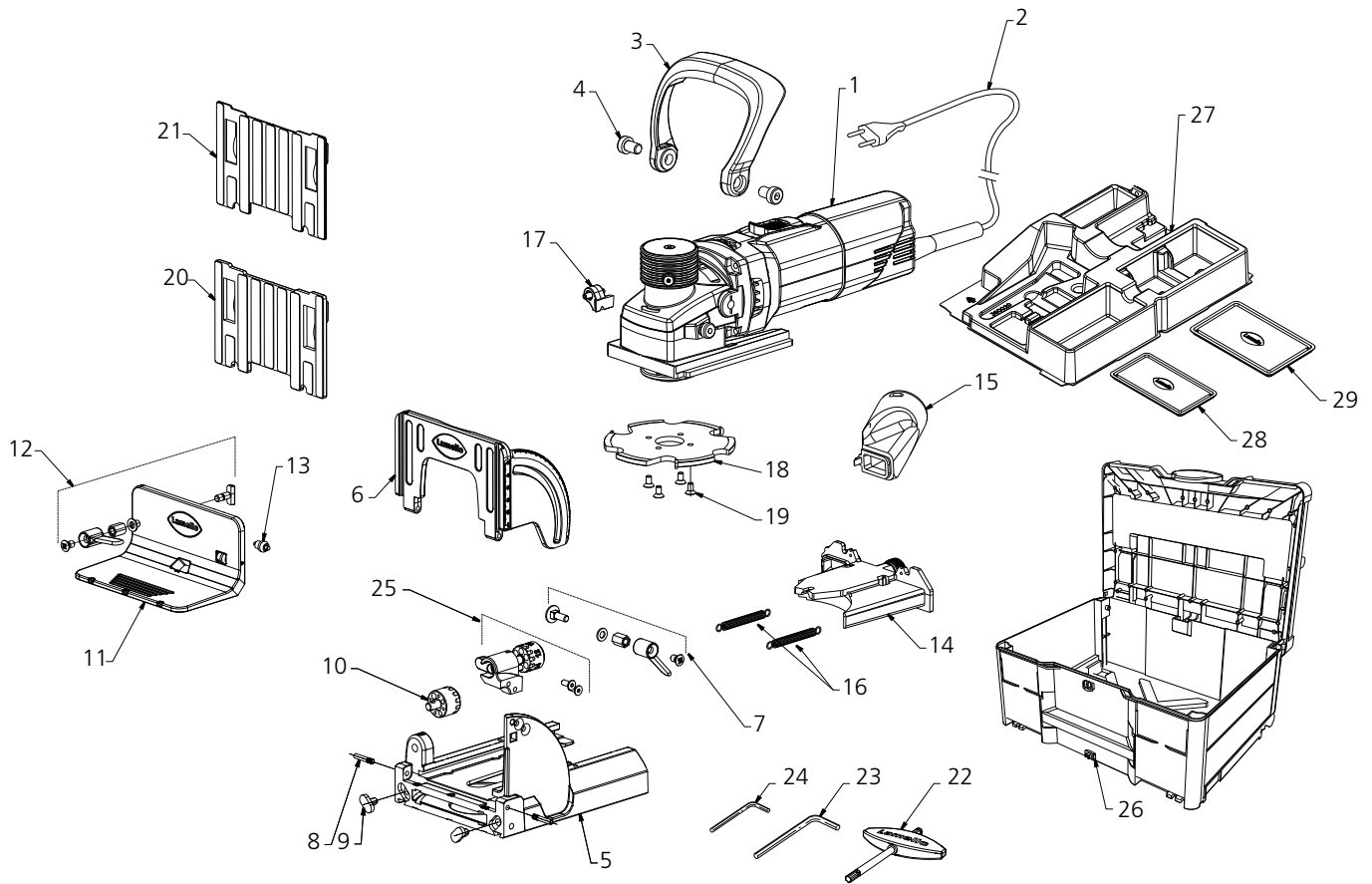
Continued on next page



Zeta, Zeta P2 (L44 EZ)

Biscuit joiner

Spare parts



Pos.	Description	Art. No.	Availability
15	Adapter 36 mm	see Accessories/Tools	
16	Tension spring	351110	
17	Stop for depth adjuster	254051	
18	P-System cutter, HW (Ø 100.9 × 7 × 22 mm, Z3)	see Accessories/Tools	
19	P-System-cutter, DIA (Ø 100.4 × 7 × 22 mm, Z3)	see Accessories/Tools	
20	Spacer 4 mm	see Accessories/Tools	
21	Spacer 2 mm	see Accessories/Tools	
22	TORX key TX20 „Lamello“	see Accessories/Tools	
23	Allen key 5 mm	see Accessories/Tools	
24	Allen key 2 mm	see Accessories/Tools	
25	P-System depth adjuster	251045	
26	Systainer II T-loc until 2022	see Accessories/Tools	
27	Systainer³ M 187 from 2023	see Accessories/Tools	
28	Plastic inlay until 2022	see Accessories/Tools	
29	Systainer³ M 187 inlay from 2023	see Accessories/Tools	
	Systainer³ inlay cover charger	see Accessories/Tools	
	Systainer³ inlay cover battery	see Accessories/Tools	

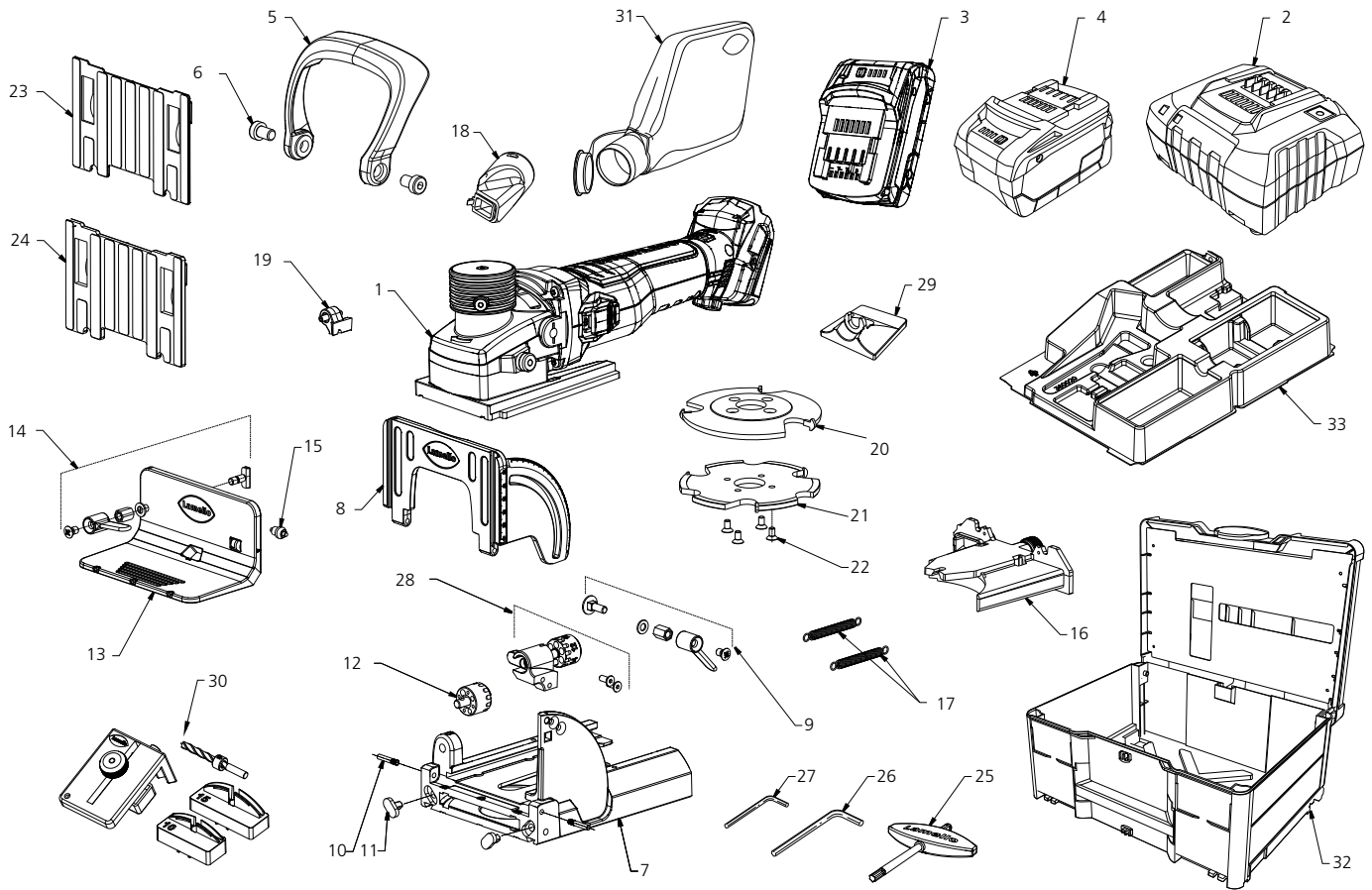
Continued on next page



Zeta P2 cordless (L84)

Biscuit joiner

Spare parts



Pos.	Description	Art. No.	Availability
1	Electric motor L84, with VDM, Zeta P2 cordless	308441DE	
	Electric motor L84, with VDM, Zeta P2 cordless	308441CH	
	Electric motor L84, with VDM, Zeta P2 cordless	308441US	
	Electric motor L84, with VDM, Zeta P2 cordless	308441GB	
	Electric motor L84, with VDM, Zeta P2 cordless	308441AU	
2	Battery charger ASC 55, plug type C Euro		see Accessories/Tools
	Battery charger ASC 55, plug type C Euro		see Accessories/Tools
	Battery charger ASC 55, plug type G		see Accessories/Tools
	Battery charger ASC 55, plug type A		see Accessories/Tools
	Battery charger ASC 55, plug type 1		see Accessories/Tools
3	Battery pack 18 V, LiHD 4.0 Ah		see Accessories/Tools
4	Battery pack 18 V, LiHD 5.5 Ah		see Accessories/Tools
5	Handle	251015	
6	Cheese head screw M8 x 12	352812	
7, 8, 9, 10, 11, 12	Base plate for Zeta P2 with swivelling stop	251040	
8	Swivelling front	251042	
9	Clamping lever complete for swivelling stop	251047	
10	Hinge bell	341020	
11	Anti-slip pad (pair)	331050	
12	Depth adjuster	251012	
13	Stop square	251044	
14	Clamping iaw with clamping lever	251046	

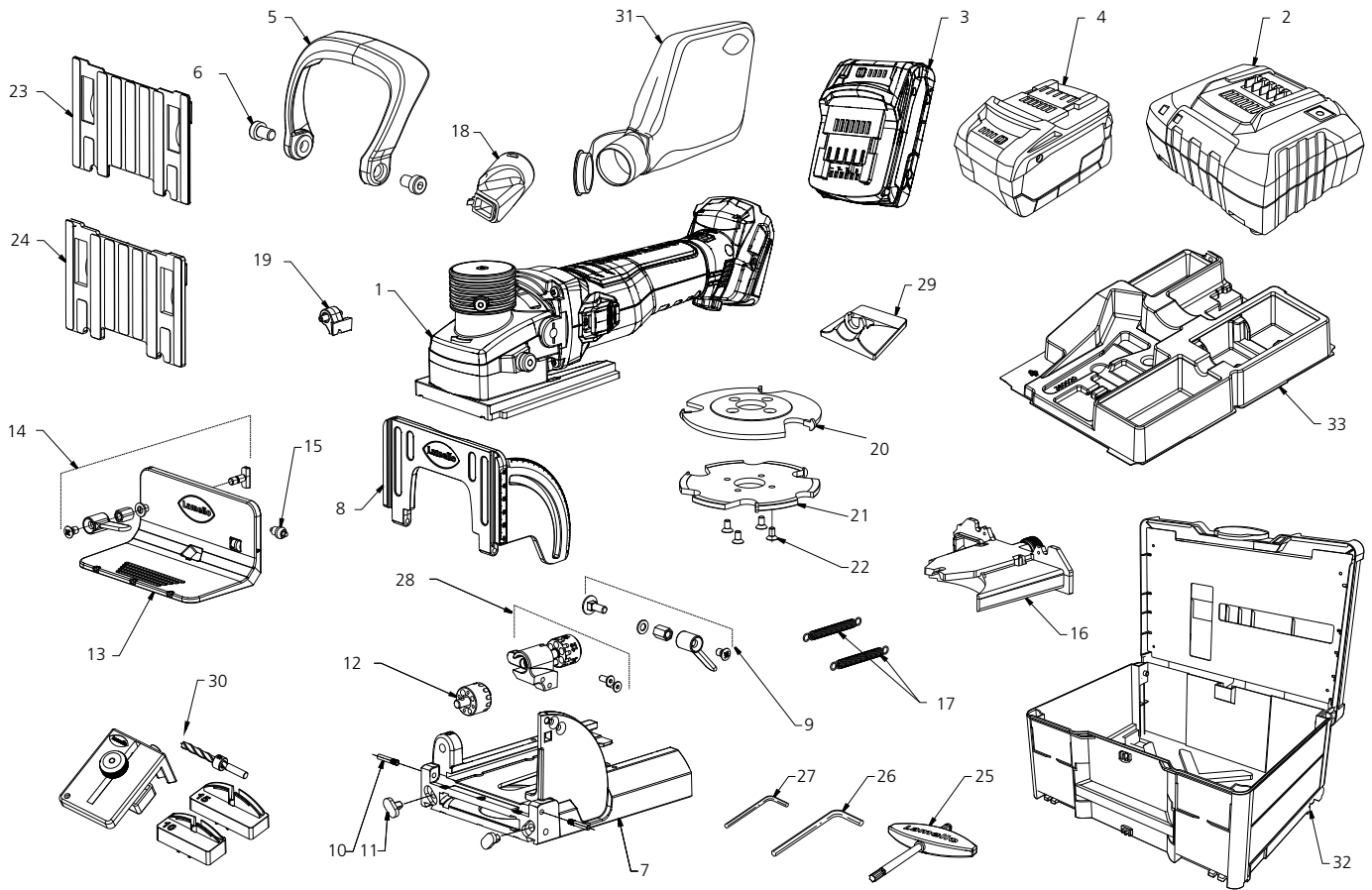
Continued on next page



Zeta P2 cordless (L84)

Biscuit joiner

Spare parts



Pos.	Description	Art. No.	Availability
15	Roll for stop square	251049	
16	Cassette with central locking	251055	
17	Tension spring 0.8 x 6 x 45.4 mm	351110	
18	Suction stub 36 mm for biscuit joiner	see Accessories/Tools	
19	Stop for depth adjuster for biscuit joiner	254051	
20	P-System groove cutter for Zeta, HW (carbide)	see Accessories/Tools	
21	P-System groove cutter for Zeta, DP (diamond)	see Accessories/Tools	
22	Countersunk screw M4 x 8 Torx	see Accessories/Tools	
23	Spacer 4 mm, plastic	see Accessories/Tools	
24	Spacer 2 mm, plastic	see Accessories/Tools	
25	TORX key TX20 „Lamello“	see Accessories/Tools	
26	Allen key 5 mm	see Accessories/Tools	
27	Allen key 2 mm	see Accessories/Tools	
28	P-System depth adjuster	251045	
29	Anti-tip protection for Classic X, Zeta P2 cordless	331008	
30	Clamex P drill jig	125344	
31	Dust bag	see Accessories/Tools	
32	Systainer ³ M 187	see Accessories/Tools	
33	Systainer ³ M 187 Plastic inlay	see Accessories/Tools	
34	Systainer ³ inlay cover charger	see Accessories/Tools	
35	Systainer ³ inlay cover battery	see Accessories/Tools	

Continued on next page



Zeta, Zeta P2 (L44 EZ), Zeta P2 cordless (L84)

Biscuit joiner

Accessories/Tools

Pos.	Description	Art. No.	Availability
	Suction set 23 Inner diameter 23 mm 3 m suction hose black Conical connecting piece for hose Ø 30–42 mm	for biscuit joiners, Variocut, 3S, G2A 121810	
	Suction hose, black, LW 23 mm, per meter	331808	
	Connecting piece, conical, for suction hose LW 23 mm	331802	
	Suction hose adapter, for suction set 23 and 30 54 and 58 mm	331805	
	Suction stub 23 mm	for biscuit joiner, Perfora, Saw unit Patchmaker 331006	
	Deflector stub	for biscuit joiner 331005	
	Extractor stub 36 mm	331007	
	Dust bag	257532	
	P-System groove cutter, carbide tipped (Ø 100.9 x 7 x 22 mm, Z3), 4 countersunk screws M4 x 8 mm Torx (352408T)	132141	
	P-System groove cutter, diamond dipped (Ø 100.4 x 7 x 22 mm, Z3), 4 countersunk screws M4 x 8 mm Torx (352408T)	132140	
	Carbide tipped groove cutter (Ø 78 x 3 x 22 mm, Z4), 4 Screw holes, with hub for biscuit H9 4 countersunk screws M4 x 8 mm Torx (352408T)	for Zeta, Top 20, Top 21, Classic 132009	

Continued on next page



Zeta, Zeta P2 (L44 EZ), Zeta P2 cordless (L84)

Biscuit joiner

Accessories/Tools

Pos.	Description	Art. No.	Availability
	Carbide tipped groove cutter (Ø 100 × 4 × 22 mm, Z2), for Zeta, Top 20, + V4 scoring teeth 4 screw holes, hub 4 countersunk screws M4 × 8 mm Torx (352408T)	132000	
	Carbide tipped saw blades for expansion gaps (Ø 100 × 2.4 × 22 mm, Z20), 4 screw holes, 2 spacers (322510), 4 countersunk screws M4 × 8 mm Torx (352408T)	132350	for Zeta, Top 20, Top 21, Classic
	Spacer (Ø 40 × 22 × 1 mm), with screw holes	322510	for Zeta, Top 20, Top 21, Classic
	Carbide tipped groove cutter with reversible blades (Ø 100 × 4 × 22 mm, Z2, + V2), 4 screw holes with hub, 4 countersunk screws M4 × 8 mm Torx (352408T), 1 Allen key 4 mm (271959)	132001	for Zeta, Top 20, Top 21, Classic
	Set of 4 pieces	132111	for Art. 132001
	Allen key 4 mm	271959L	for Art. 132001
	Z4 + V4, 4 screw holes without hub, with spacer (322511), 4 countersunk screws M4 × 8 mm Torx (352408T)	132130	for Zeta, Top 20, Top 21, Classic
	Set of 10 pieces main teeth	132134	for Art. 132130
	Set of 10 pieces scoring teeth	132135	for Art. 132130
	Spacer (Ø 40 × 22 × 0.4 mm), with screw holes	322511	

Continued on next page



Zeta, Zeta P2 (L44 EZ), Zeta P2 cordless (L84)

Biscuit joiner

Accessories/Tools

Pos.	Description		Art. No.	Availability
	Replacement-Set, 4 scoring teeth + 4 main teeth	for Art. 132130	132133	
	Torx screw	for Art. 132130	352130	
	Torx key T9	for Art. 132130	352133	
	Countersunk screw M4 x 8 mm Torx, for Pos. 18		352408T	
	Spacer 4 mm		253026	
	Spacer 2 mm		253023	
	Spacer for biscuit joiner 5 mm, aluminium for 18 mm panels	for Top 21/Zeta/Classic	253027	
	TORX key TX20 „Lamello“, for Pos. 19		271933	
	Allen key 5 mm, for Pos. 14		271953	
	Allen key 2 mm, for Pos. 10/25		271942	
	Systainer II T-loc until 2022		331565	31.12.2027
	Systainer ³ M 187 from 2023		331579	
	Plastic inlay until 2022		360014	31.12.2027
	Systainer ³ M 187 inlay from 2023		360020	
	Systainer ³ inlay cover charger		360021	
	Systainer ³ inlay cover battery		360022	


Continued on next page



Zeta, Zeta P2 (L44 EZ), Zeta P2 cordless (L84)

Biscuit joiner

Accessories/Tools

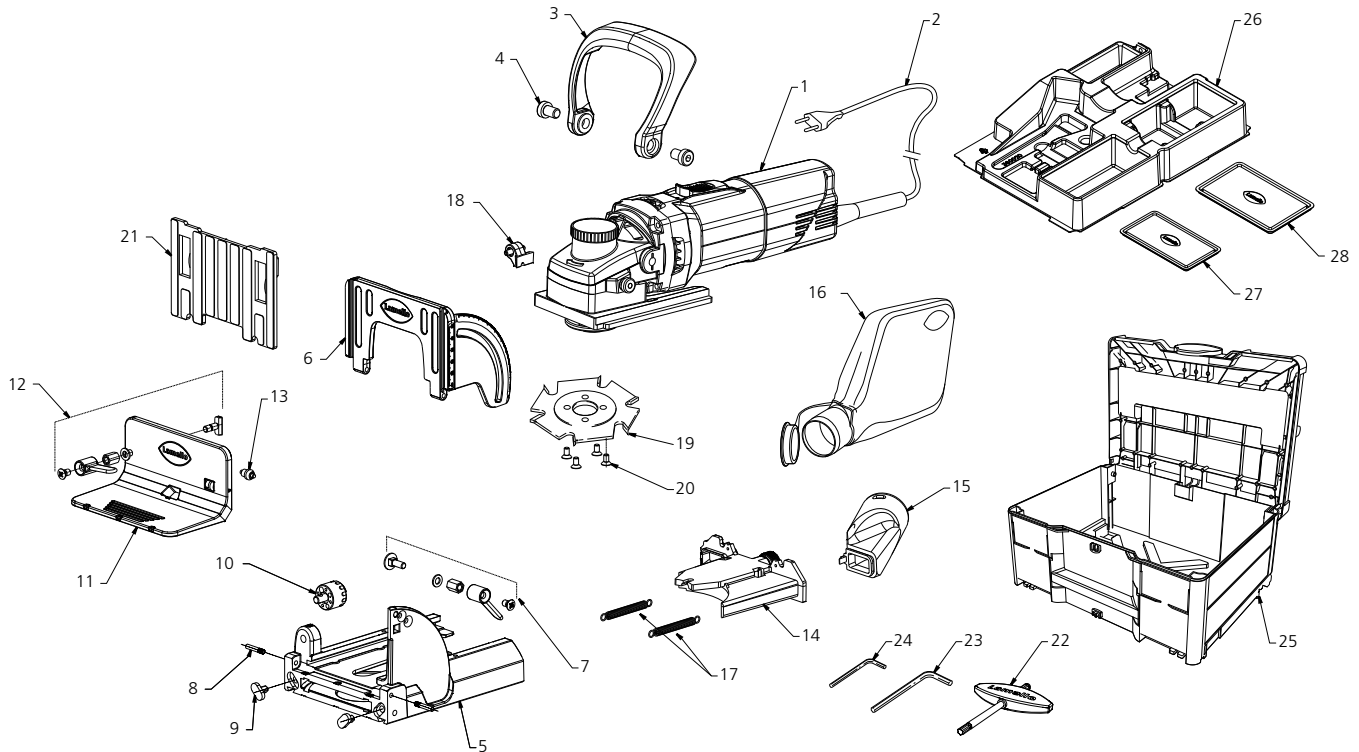
Pos.	Description	Art. No.	Availability
	Positioning pins for Zeta P2, Ø 5 mm, 1 pairs, 2 grub screws M5 × 6 mm, 1 Allen key (271943)	251048	
	Positioning pins for Zeta P2, Ø8 mm, 1 pairs, 2 grub screws M5 × 6 mm, 1 Allen key 2.5 mm (271943)	251066	
	Allen key 2.5 mm	271943	
	Slide shoe, to protect the wall and the machine from year of manufacture 1999	for Experta, Classic C2, C3 Top 20, S, S2, S3, S4, Top 21, Zeta	251057
	Battery charger ASC 55, plug type C Euro	123100DE	
	Battery charger ASC 55, plug type C Euro	123100CH	
	Battery charger ASC 55, plug type G	123100US	
	Battery charger ASC 55, plug type A	123100GB	
	Battery charger ASC 55, plug type 1	123100AU	
	Battery pack 18 V, LiHD 4.0 Ah	313013	
	Battery pack 18 V, LiHD 5.5 Ah	313015	



Top 21 (L44 E)

Biscuit joiner

Spare parts



Pos.	Description	Art. No.	Availability
1	Electric motor L44 E complete, with guide and height adjustment 230 V DE	304415D	
	Electric motor L44 E complete, with guide and height adjustment 230 V CH	304415CH	
	Electric motor L44 E complete, with guide and height adjustment 120 V US	304415US	
	Electric motor L44 E complete, with guide and height adjustment 230 V GB	304415GB	
	Electric motor L44 E complete, with guide and height adjustment 230 V AU	304415AU	
2	Cable with EU-plug Typ C, 2 x 1 mm ² , Ø 8.1 mm	313720	
	Cable with Schuko-plug Typ F, 2 x 1 mm ² , Ø 8.1 mm	313721	
	Cable with US-plug, 2 x 1 mm ² , Ø 8.1 mm	315012	
	Cable with GB-plug, 2 x 1 mm ² , Ø 8.1 mm	315016	
	Cable with AUS / NZ-plug, 2 x 1 mm ² , Ø 8.1 mm	315013	
3	Handle	251015	
4	Cheese head screw M8 x 12 mm	352812	
5, 6, 7, 8, 9, 10	Baseplate with swivelling stop, scale in mm, for Top 21	257589	
6	Swivelling stop	251042	
7	Clamping lever for swivelling stop	251047	
8	Hinge bolt	341020	
9	Anti-slip pad	331050	
10	Depth adjuster	251012	
11, 12, 13	Stop square	251044	
12	Clamping jaw with clamping lever	251046	
13	Roll for stop square	251049	
14	Cassette with central locking	251055	

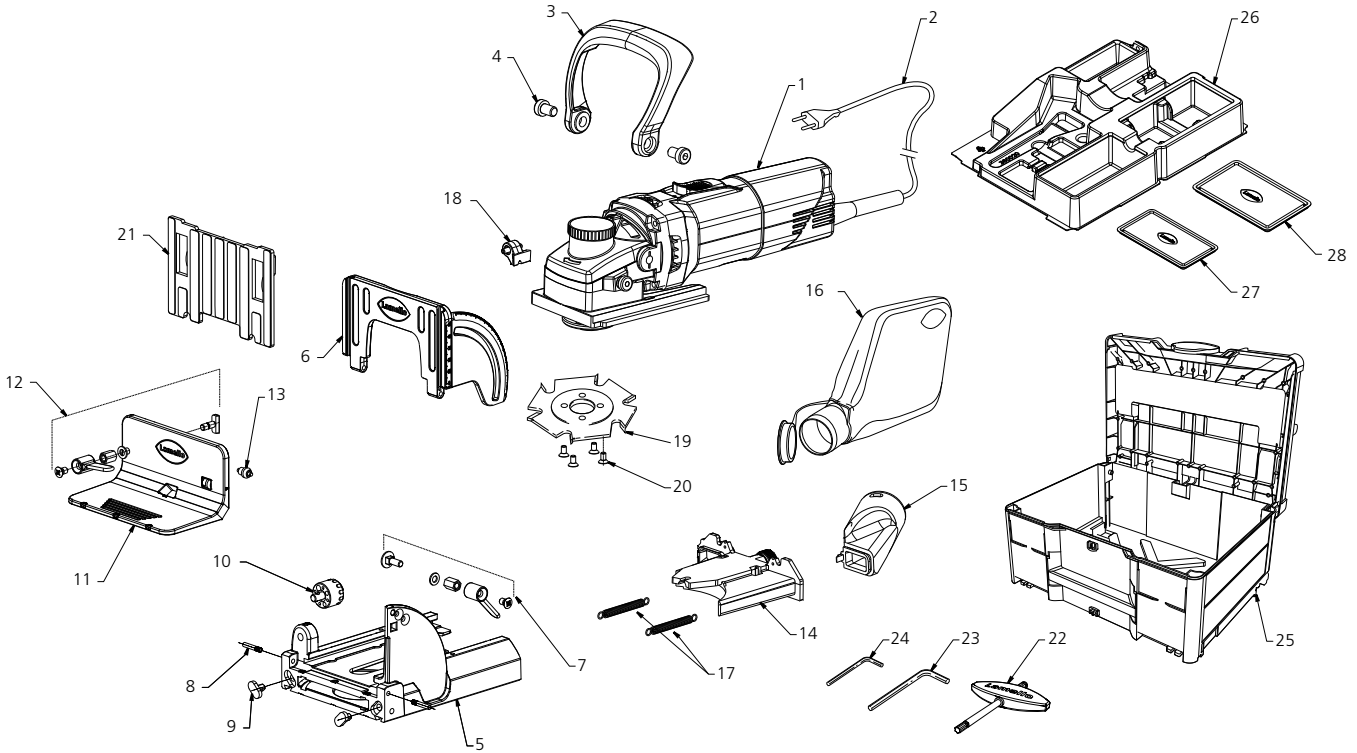
Continued on next page



Top 21 (L44 E)

Biscuit joiner

Spare parts



Pos.	Description	Art. No.	Availability
15	Suction adapter 36 mm	see Accessories/Tools	
16	Dust bag	see Accessories/Tools	
17	Tension spring	351110	
18	Stop for depth adjuster	254051	
19	Carbide tipped cutter (Ø 100 × 4 × 22 mm)	see Accessories/Tools	
20	Countersunk screw M4 × 8 mm Torx	see Accessories/Tools	
21	Spacer 4 mm	see Accessories/Tools	
22	TORX key TX20 „Lamello“	see Accessories/Tools	
23	Allen key 5 mm	see Accessories/Tools	
24	Allen key 2 mm	see Accessories/Tools	
25	Systainer II T-loc until 2022	see Accessories/Tools	
	Systainer ³ M 187 from 2023	see Accessories/Tools	
26	Plastic inlay until 2022	see Accessories/Tools	
	Systainer ³ M 187 inlay from 2023		
27	Systainer ³ inlay cover charger	see Accessories/Tools	
28	Systainer ³ inlay cover battery	see Accessories/Tools	

Continued on next page



Top 21 (L44 E)

Biscuit joiner

Accessories/Tools

Pos.	Description	Art. No.	Availability
	Suction set 23 Inner diameter 23 mm 3 m suction hose black Conical connecting piece for hose Ø 30–42 mm	for biscuit joiners, Variocut, 3S, G2A 121810	
	Suction hose, black, LW 23 mm, per meter	331808	
	Connecting piece, conical, for suction hose LW 23 mm	331802	
	Suction hose adapter, for suction set 23 and 30 54 and 58 mm	331805	
	Suction stub 23 mm	for biscuit joiner, Perfora, Saw unit Patchmaker 331006	
	Deflector stub	for biscuit joiner 331005	
15 	Extractor stub 36 mm	331007	
	Dust bag	257532	
	Carbide tipped groove cutter (Ø 100 × 4 × 22 mm, Z4) 4 screw holes, with hub for biscuit H9, 4 countersunk screws M4 × 8 mm Torx (352408T)	for Zeta, Top 20, Top 21, Classic 132009	
	Carbide tipped groove cutter (Ø 100 × 4 × 22 mm, Z2, + V4 scoring teeth), 4 screw holes, hub, 4 countersunk screws M4 × 8 mm Torx (352408T)	for Zeta, Top 20, Top 21, Classic 132000	
	Carbide tipped saw blades for expansion gaps (Ø 100 × 2.4 × 22 mm, Z20), 4 screw holes, 2 spacers (322510), 4 countersunk screws M4 × 8 mm Torx (352408T)	for Zeta, Top 20, Top 21, Classic 132350	

Continued on next page



Top 21 (L44 E)

Biscuit joiner

Accessories/Tools

Pos.	Description		Art. No.	Availability
	Spacer (Ø 40 × 22 × 1 mm), with screw holes	for Zeta, Top 20, Top 21, Classic	322510	
	Carbide tipped groove cutter with reversible blades (Ø 100 × 4 × 22 mm, Z2, + V2), 4 screw holes with hub, 4 countersunk screws M4 × 8 mm Torx (352408T) 1 Allen key 4 mm (271959L)	for Zeta, Top 20, Top 21, Classic	132001	
	Set of 4 pieces	for Art. 132001	132111	
	Allen key 4 mm	for Art. 132001	271959L	
18 	Z4 + V4, 4 screw holes without hub, with spacer (322511), 4 countersunk screws M4 × 8 mm Torx (352408T)	for Zeta, Top 20, Top 21, Classic	132130	
	Set of 10 pieces main teeth	for Art. 132130	132134	
	Set of 10 pieces scoring teeth	for Art. 132130	132135	
	Replacement-Set, 4 scoring teeth + 4 main teeth	for Art. 132130	132133	
	Torx screw	for Art. 132130	352130	
	Spacer (Ø 40 × 22 × 0.4mm), with screw holes		322511	
	Torx key T9	for Art. 132130	352133	

Continued on next page



Top 21 (L44 E)

Biscuit joiner

Accessories/Tools

Pos.	Description	Art. No.	Availability
	Carbide tipped groove cutter with reversible blades for Top 20, Top 21, Classic (Ø 100 × 8 × 22 mm, Z4, + V4), 4 screw holes, (Clamex S 18 connector) 1 Allen key 2.5 mm (271943) 4 countersunk screws M4 × 8 mm Torx Tuflok (352408F) 1 Torx key TX25 (271935)	132108	
	Set of 10 pieces scoring teeth	for Art. 132108	132137
	Set of 10 pieces main teeth	for Art. 132108	132136
	Replacement-Set, 4 scoring teeth + 4 main teeth	for Art. 132108	132114
	Torx key TX25		271935
	Allen key 2.5 mm		271943
	Depth setting gauge for groove cutter 8 mm	for Art. 132108	132110
	Countersunk screw M4 × 8 mm Torx Tuflok, for Pos. 19		352408F
	Countersunk screw M4 × 8 mm Torx, for Pos. 19		352408T
	Spacer 4 mm		253026
	TORX key TX20 „Lamello“, for Pos. 20		271933
	Allen key 5 mm, for Pos. 14		271953
	Allen key 2 mm, for Pos. 10		271942
	Systainer II T-loc until 2022		331565 31.12.2027
	Systainer³ M 187 from 2023		331579
	Plastic inlay until 2022		360014 31.12.2027
	Systainer³ M 187 inlay from 2023		360020
	Systainer³ inlay cover charger		360021
	Systainer³ inlay cover battery		360022


Continued on next page



Top 21 (L44 E)

Biscuit joiner

Accessories/Tools

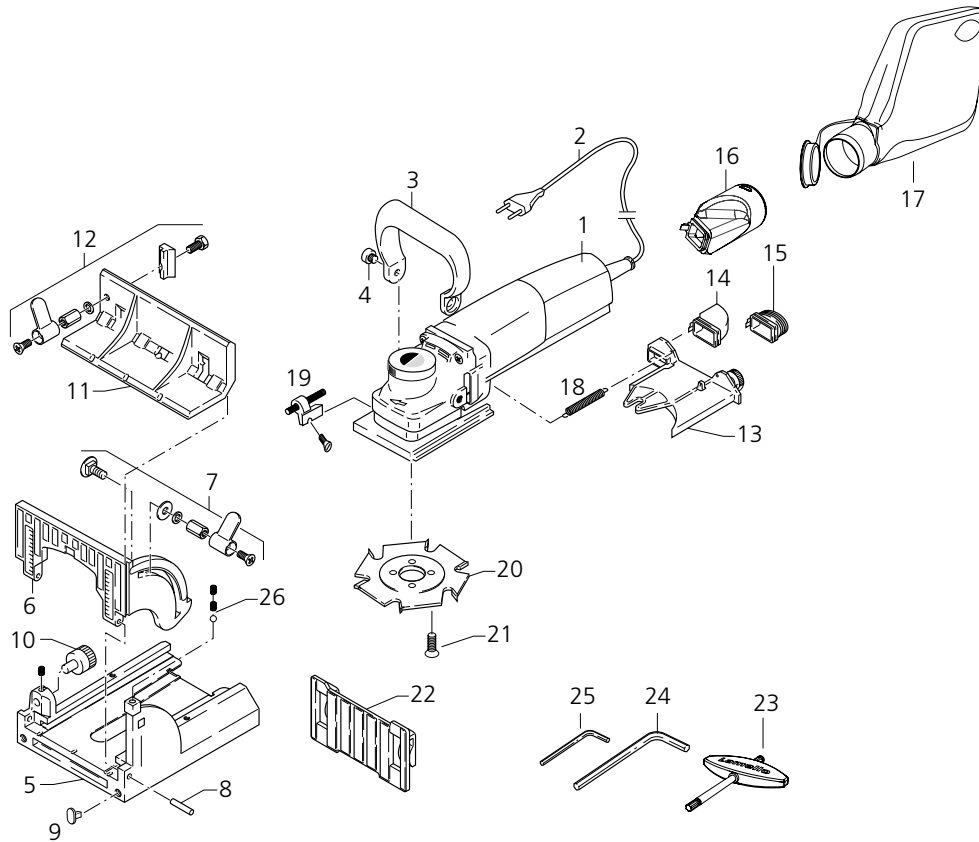
Pos.	Description	Art. No.	Availability
	Slide shoe, to protect the wall and the machine from year of manufacture 1999	for Experta, Classic C2, C3 Top 20, S, S2, S3, S4, Top 21, Zeta	251057



Top 20 S4 (L44E)¹

Biscuit joiner

Spare parts



Pos.	Description	Art. No.	Availability
1	Electric motor L44 E, complete, with guide and height adjustment 230 V DE	304415D	
	Electric motor L44 E, complete, with guide and height adjustment 230 V CH	304415CH	
	Electric motor L44 E, complete, with guide and height adjustment 120 V US	304415US	
	Electric motor L44 E, complete, with guide and height adjustment 230 V GB	304415GB	
2	Cable with EU-plug Typ C, 2 × 1 mm ² , Ø 8.1 mm	313720	
	Cable with Schuko-plug Typ F, 2 × 1 mm ² , Ø 8.1 mm	313721	
	Cable with US-plug, 2 × 1 mm ² , Ø 8.1 mm	315012	
	Cable with AUS / NZ-plug, 2 × 1 mm ² , Ø 8.1 mm	315013	
3	Handle	251016	31.12.2025
4	Cheese head screw M8 × 12 mm	352812	
5 – 10	Baseplate with swivelling stop, with scale in mm	251050	31.12.2023
6	Swivelling stop, with scale in mm	251052	31.12.2023
7	Clamping lever complete	251047	
8	Hinge bolt	341020	
9	Anti-slip pad	331050	
10	Depth adjuster	251012	
11	Stop square	251054	31.12.2023
12	Clamping jaw	251018	31.12.2023
13	Cassette with central locking	251055	
14	Guide stub	see Accessories/Tools	
15	Suction stub	see Accessories/Tools	
16	Adapter 36 mm	see Accessories/Tools	
17	Dust bag	see Accessories/Tools	

¹ Year of discontinuation: 2011

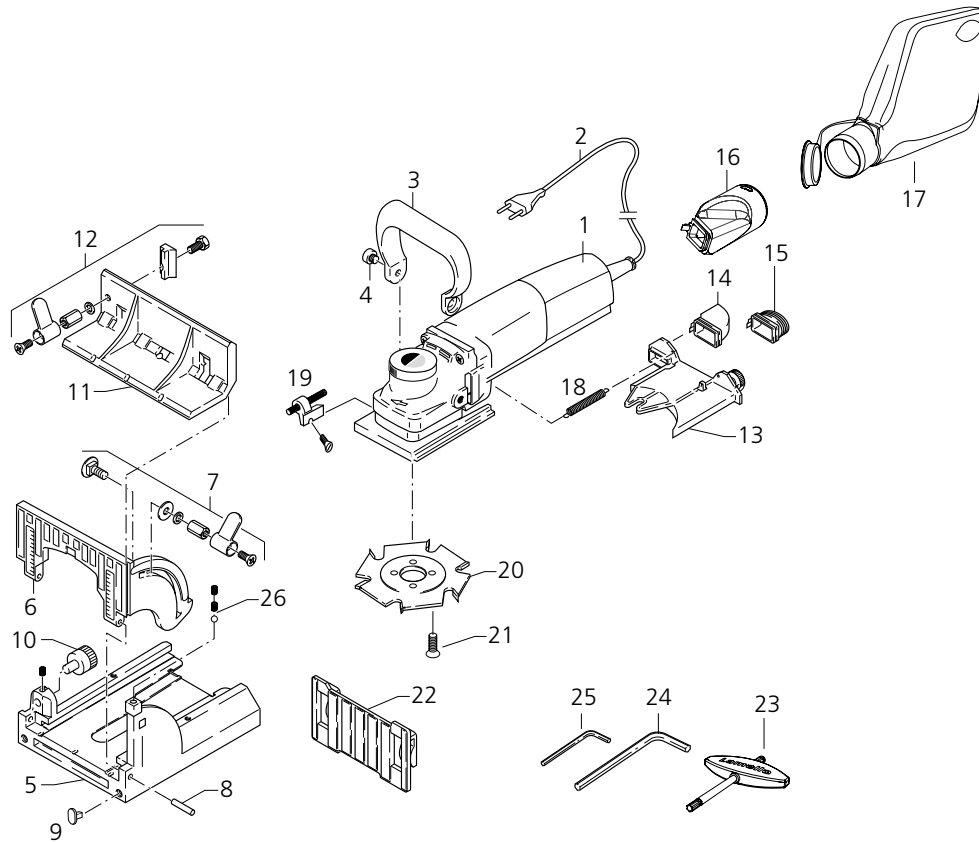
Continued on next page



Top 20 S4 (L44E)¹

Biscuit joiner

Spare parts



Pos.	Description	Art. No.	Availability
18	Tension spring	351110	
19	Stop for depth adjuster	254051	
20	HW cutter (Ø 100 × 4 × 22 mm)	see Accessories/Tools	
21	Countersunk screw M4 × 8 mm Torx	352408T	
22	Thickness plate 4 mm	see Accessories/Tools	
23	TORX key TX20 „Lamello“	see Accessories/Tools	
24	Allen key 5 mm	see Accessories/Tools	
25	Allen key 2 mm	see Accessories/Tools	
26	Ball set to swivelling stop	254052	31.12.2023

¹Year of discontinuation: 2011






Continued on next page



Top 20 S4 (L44E)¹

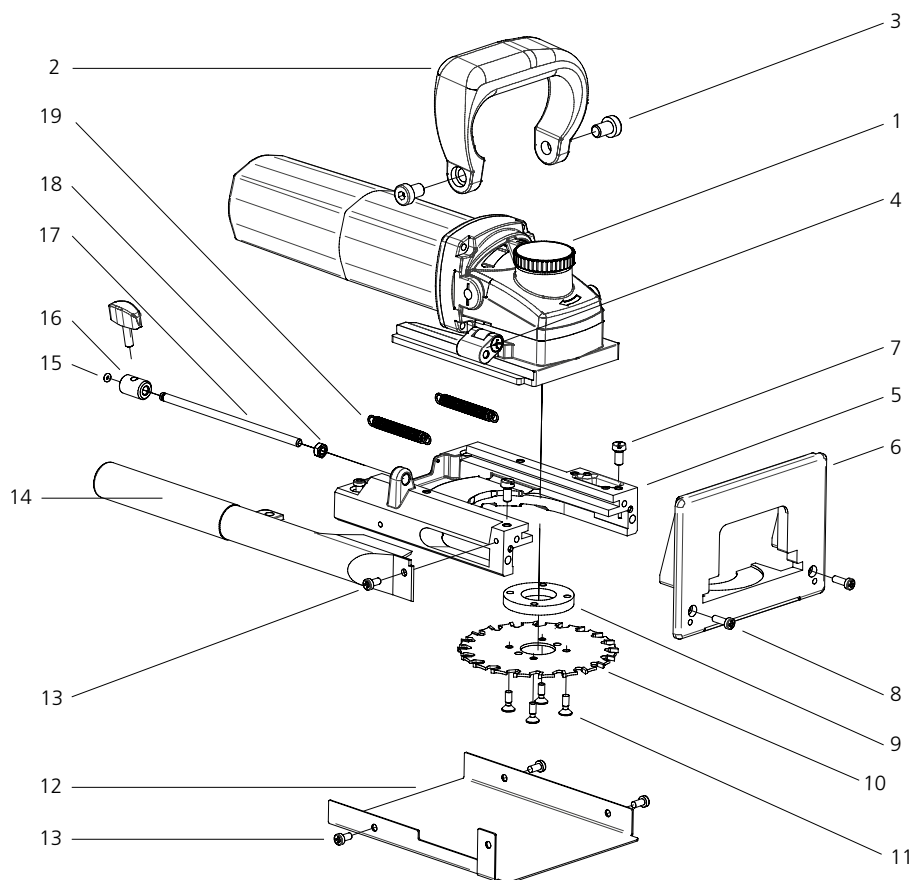
Biscuit joiner

Accessories/Tools

Pos.	Description		Art. No.	Availability
15	Suction stub 23 mm	for biscuit joiner, Perfora, Saw unit Patchmaker	331006	
				
14	Deflector stub	for biscuit joiner	331005	
				
16	Extractor stub 36 mm		331007	
				
17	Dust bag		257532	
				
20	Carbide tipped groove cutter (Ø 100 × 4 × 22 mm, Z2, + V4 scoring teeth), 4 screw holes, hub, 4 countersunk screws M4 × 8 mm Torx (352408T)	for Zeta, Top 20, Top 21, Classic	132000	
				
22	Spacer 4 mm		253024	31.12.2024
23	TORX key TX20 „Lamello“		271933	
24	Allen key 5 mm		271953	
25	Allen key 2 mm		271942	

¹Year of discontinuation: 2011

Spare parts



Pos.	Description	Art. No.	Availability
1	Electric motor L44 E, complete, with guide 230 V CH	304455CH	31.12.2030
	Electric motor L44 E, complete, with guide 230 V DE	304455D	31.12.2030
2	Handle	251015	
3	Cheese head screw	352816	
4	Holder for depth adjuster, complete	251706	31.12.2030
5	Base plate	251450	31.12.2030
6 – 8	Front plate	251322	31.12.2030
7	Cheese head screw M5 × 10mm, cross-head	352510	31.12.2030
9	Distance disc	341450	no more available
10	Saw blade, HW Ø 100mm, Z20		see Accessories/Tools
11	Countersunk screw M4 × 12 mm	352404	31.12.2030
12	Bottom plate	321450	31.12.2030
13	Screw M4 × 8mm	352414	31.12.2030
14	Extractor stub	281804	31.12.2030
15, 16, 17, 18	Depth adjuster, complete	251512	31.12.2030
19	Tension spring	351110	

¹Year of discontinuation: 2020

Continued on next page




Variocut (L44E)¹

Multipurpose cutters

Accessories/Tools

Pos.	Description	Art. No.	Availability
10	Saw blade, HW (Ø 100 mm, Z20)	132301	31.12.2025

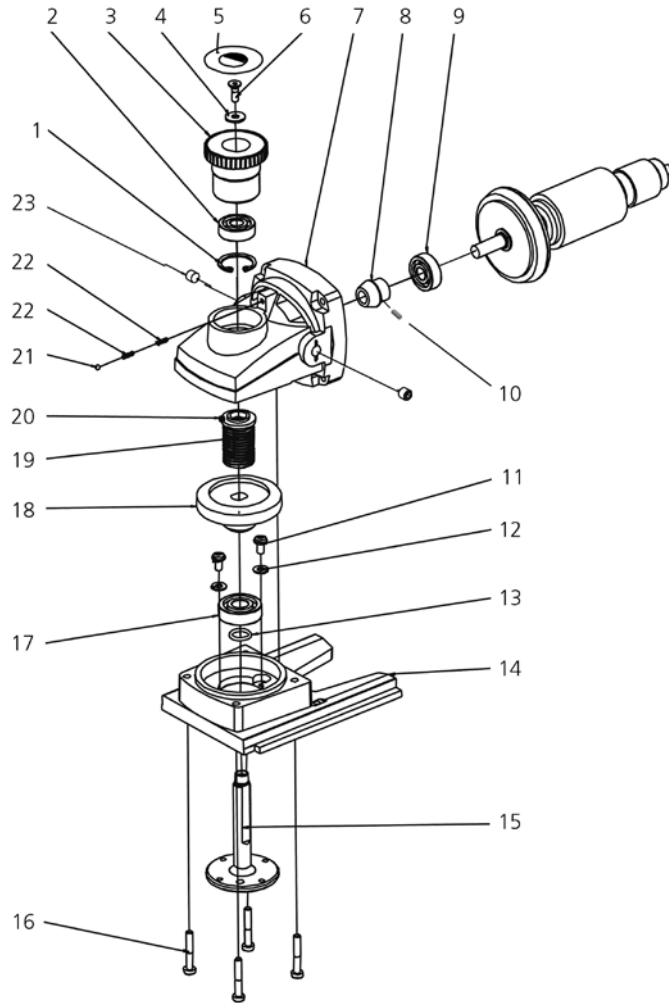




Top 20 S4¹, Variocut (L44E)²

Biscuit joiner – Height adjustment

Spare parts



Pos.	Description	Art. No.	Availability	
1	Safety ring for drilling Ø 22 mm	351044	31.12.2030	
2	Groove ball bearing 608 ZZ	313215	31.12.2030	
3	Set screw	341046	31.12.2030	
4, 6	Groove ball bearing	314045	31.12.2030	
5	Height scale	321057	31.12.2030	
7	Gear box case for L44	314425		
8	Pinion	L44 E	314463	
8, 10, 18	Ring gear + pinion spiral-toothed	L44 E	314442	
8, 10, 18	Ring gear + pinion spiral-toothed	L44	316031	31.12.2030
9	Groove ball bearing 6000-2RS	313211		
11, 12, 13, 14, 17	Guide, complete	254301		
15	Milling spindle	341050		
16	Pan head screw M4 x 25 mm	352425	31.12.2030	
18	Ring gear with helical toothing	L44 E	314441	
19, 20	Disk spring with spacing disk	314042	31.12.2030	
21, 22	Ball and springs for height adjustment	314043	31.12.2030	
23	Hex-socket set screw M8 x 10 mm (60°-cone point)	no more available	357811	

¹ Year of discontinuation: 2011

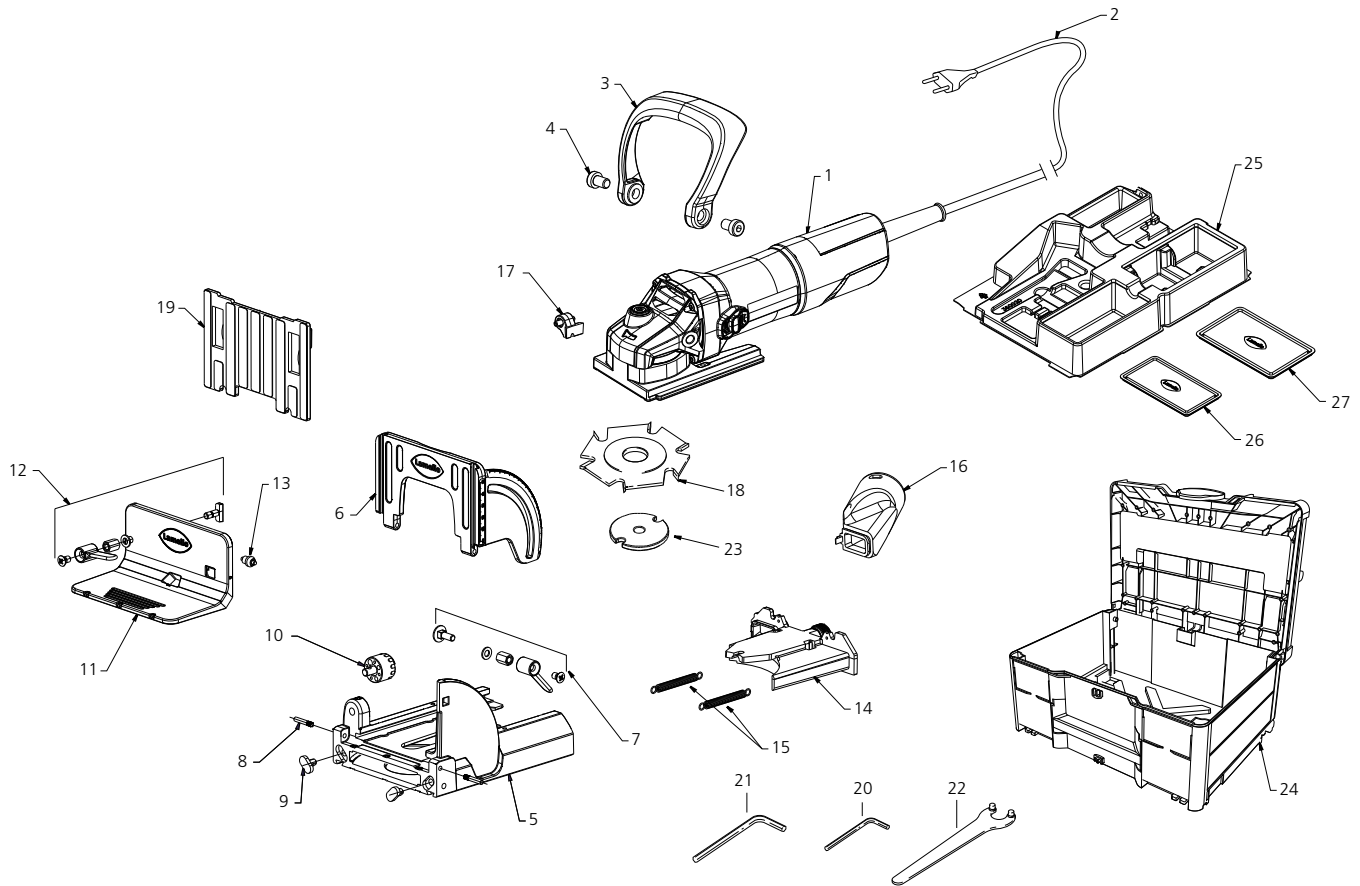
² Year of discontinuation: 2020



Classic X (L81) ¹

Biscuit joiner

Spare parts



Pos.	Description	Art. No.	Availability
1	Electric motor L81 complete, with guide 230 V DE	308101DE	31.12.2031
	Electric motor L81 complete, with guide 230 V CH	308101CH	31.12.2031
	Electric motor L81 complete, with guide 120 V US	308101US	31.12.2031
	Electric motor L81 complete, with guide 230 V GB	308101GB	31.12.2031
	Electric motor L81 complete, with guide 230 V AU	308101AUS	31.12.2031
2	Cable with EU-plug Typ C, 2 × 1 mm ² , Ø 8.1 mm	313720	
	Cable with Schuko-plug Typ F, 2 × 1 mm ² , Ø 8.1 mm	313721	
	Cable with US-plug, 2 × 1 mm ² , Ø 8.1 mm	315012	
	Cable with GB-plug, 2 × 1 mm ² , Ø 8.1 mm	315016	
	Cable with AUS / NZ-plug, 2 × 1 mm ² , Ø 8.1 mm	315013	
3	Handle	251015	
4	Cheese head screw M8 × 12 mm	352812	
5–10	Baseplate with swivelling stop, with scale in mm	257571	
6	Swivelling stop, with scale in mm	251042	
7	Clamping lever for swivelling stop	251047	
8	Hinge bolt	341020	
9	Anti-slip pad	331050	
10	Depth adjuster	251012	
11	Stop square	251044	
12	Clamping jaw with clamping lever	251046	
13	Roll for stop square	251049	
14	Cassette with central locking	251055	
15	Tension spring	351110	

¹ Year of discontinuation: 2021

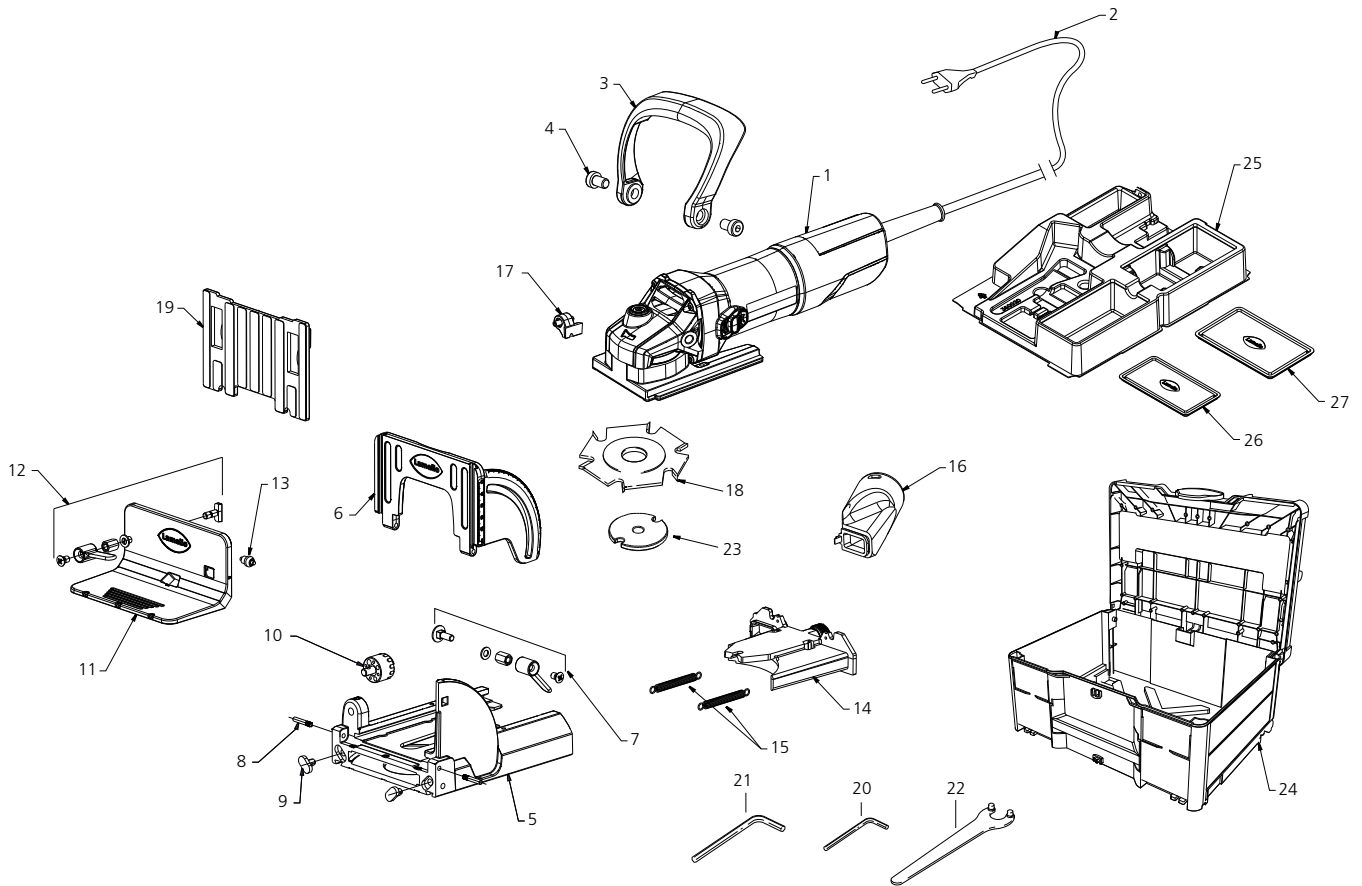
Continued on next page



Classic X (L81) ¹

Biscuit joiner

Spare parts



Pos.	Description	Art. No.	Availability
16	Adapter 36 mm	see Accessories/Tools	
17	Stop for depth adjuster	254051	
18	Cutter, carbide tipped (Ø 100 x 4 mm, Z6)	see Accessories/Tools	
19	Spacer 4 mm	see Accessories/Tools	
20	Allen key 2 mm	see Accessories/Tools	
21	Allen key 5 mm	see Accessories/Tools	
22	Face spanner	see Accessories/Tools	
23	Lose Flange	341092	
24	Systainer II T-loc until 2022	see Accessories/Tools	
	Systainer ³ M 187 from 2023	see Accessories/Tools	
25	Plastic inlay until 2022	see Accessories/Tools	
	Systainer ³ M 187 inlay from 2023	see Accessories/Tools	
26	Systainer ³ inlay cover charger	see Accessories/Tools	
27	Systainer ³ inlay cover battery	see Accessories/Tools	

¹ Year of discontinuation: 2021

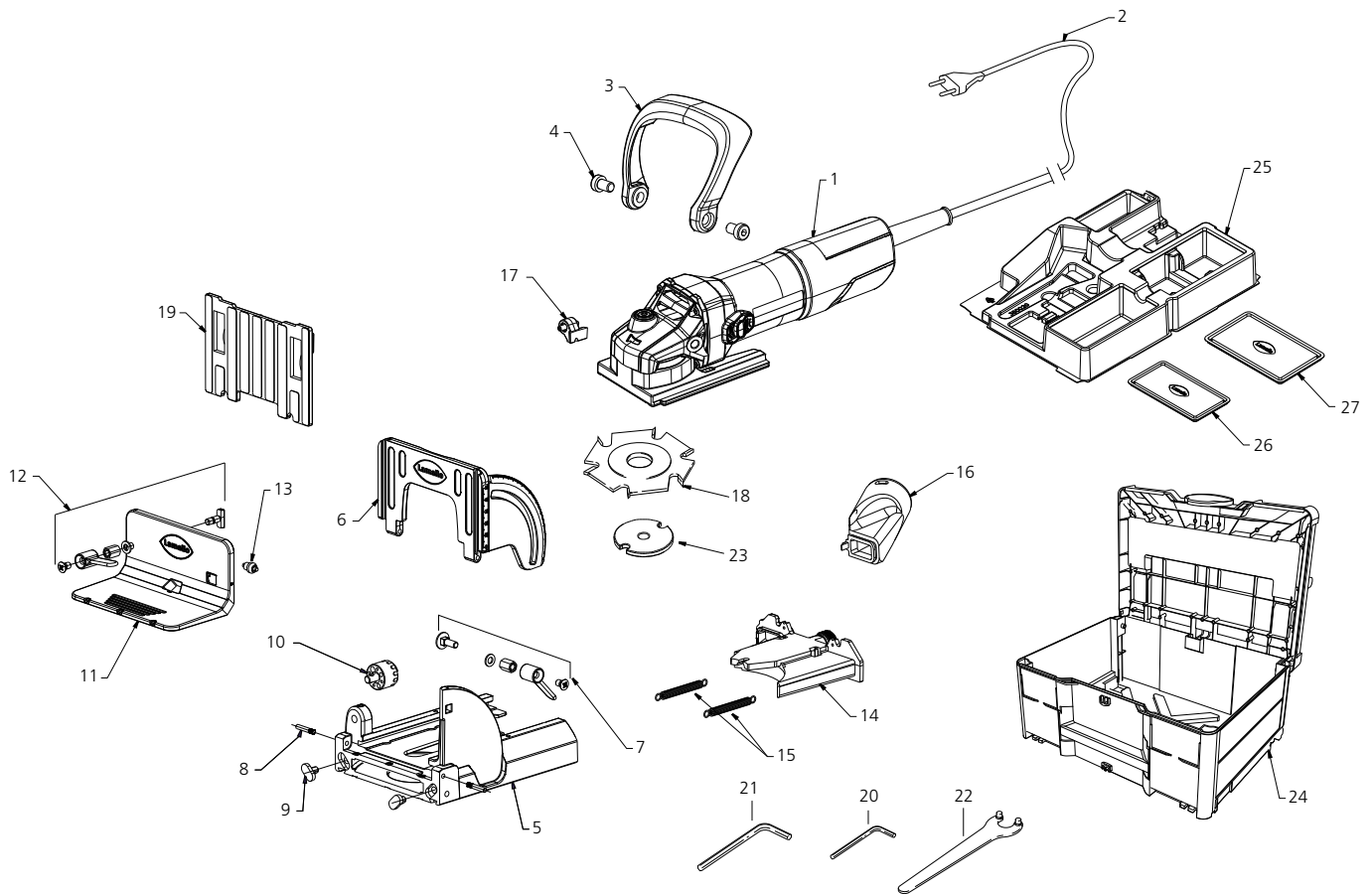
Continued on next page



Classic X (L82)

Biscuit joiner

Spare parts



Pos.	Description	Art. No.	Availability
1	Electric motor L82 complete, with guide 230 V, Schuko plug	308201DE	
	Electric motor L82 complete, with guide 230 V, Euro plug	308201CH	
	Electric motor L82 complete, with guide 120 V, US plug	308201US	
	Electric motor L82 complete, with guide 230 V, GB plug	308201GB	
	Electric motor L82 complete, with guide 240 V, AU plug	308201AU	
2	Cable with plug, 230 V, DE	313721	
	Cable with plug, 230 V, CH	313720	
	Cable with plug, 120 V, US	315012	
	Cable with plug, 230 V, GB	315016	
	Cable with plug, 240 V, AU	315013	
3	Handle	251015	
4	Cheese head screw M8 x 12	352812	
5, 6, 7, 8, 9, 10	Baseplate with swivelling stop, with scale in mm	257571	
6	Swivelling stop, with scale in mm	251042	
7	Clamping lever for swivelling stop	251047	
8	Hinge bolt	341020	
9	Anti-slip pad	331050	
10	Depth adjuster	251012	
11, 12, 13	Stop square	251044	
12	Clamping jaw with clamping lever	251046	
13	Roll for stop square	251049	

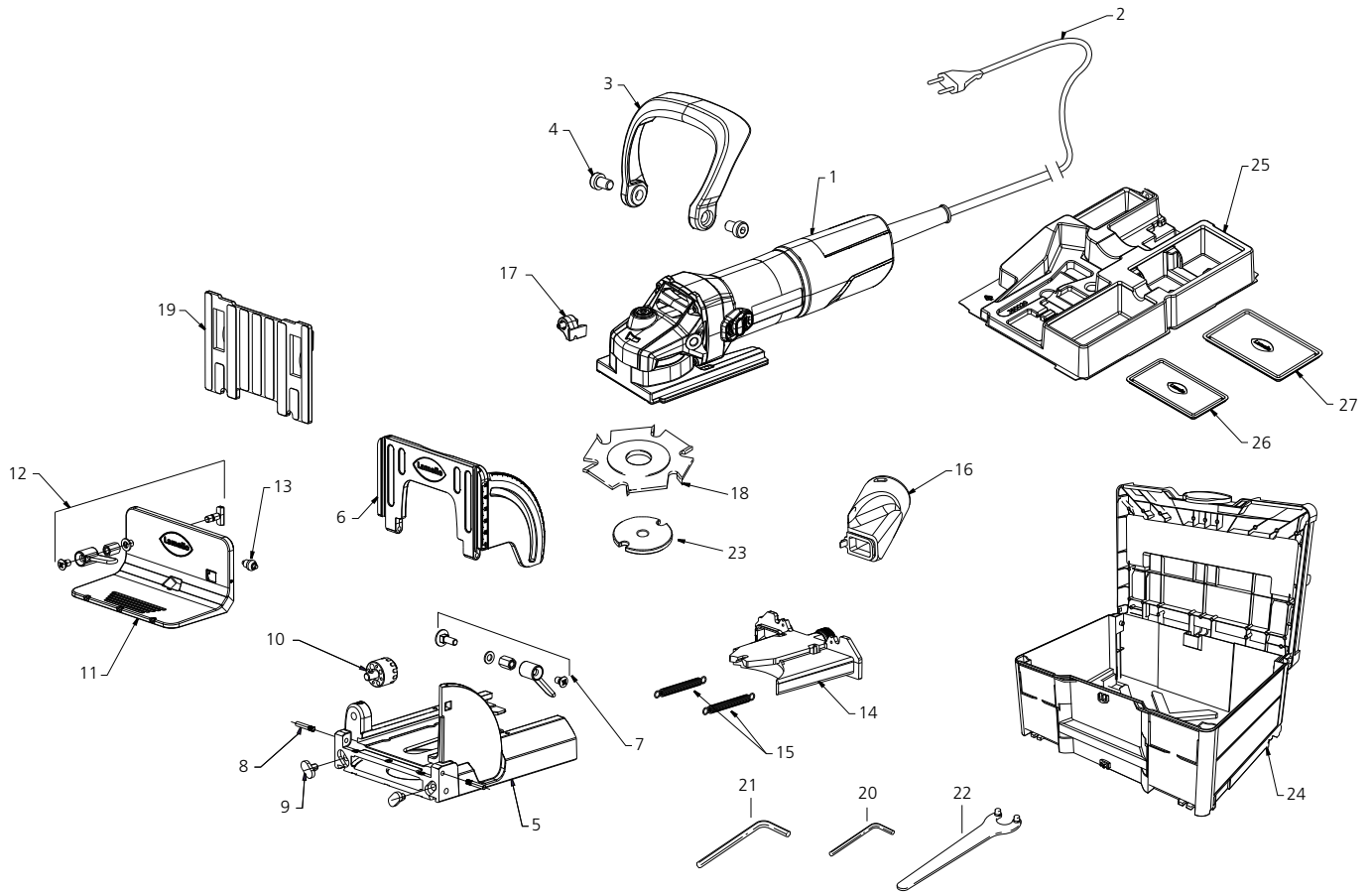
Continued on next page



Classic X (L82)

Biscuit joiner

Spare parts



Pos.	Description	Art. No.	Availability
14	Cassette with central locking	251055	
15	Tension spring (piece)	351110	
16	Adapter 36 mm	see Accessories/Tools	
17	Stop for depth adjuster	see Accessories/Tools	
18	Cutter, carbide tipped (100 x mm, Z6)	see Accessories/Tools	
19	Spacer 4 mm	see Accessories/Tools	
20	Allen key 2 mm	see Accessories/Tools	
21	Allen key 5 mm	see Accessories/Tools	
22	Face spanner	see Accessories/Tools	
23	Clamping flange	341092	
24	Systainer II T-loc until 2022	see Accessories/Tools	
	Systainer ³ M 187 from 2023	see Accessories/Tools	
25	Plastic inlay until 2022	see Accessories/Tools	
	Systainer ³ M 187 inlay from 2023	see Accessories/Tools	
26	Systainer ³ inlay cover charger	see Accessories/Tools	
27	Systainer ³ inlay cover battery	see Accessories/Tools	

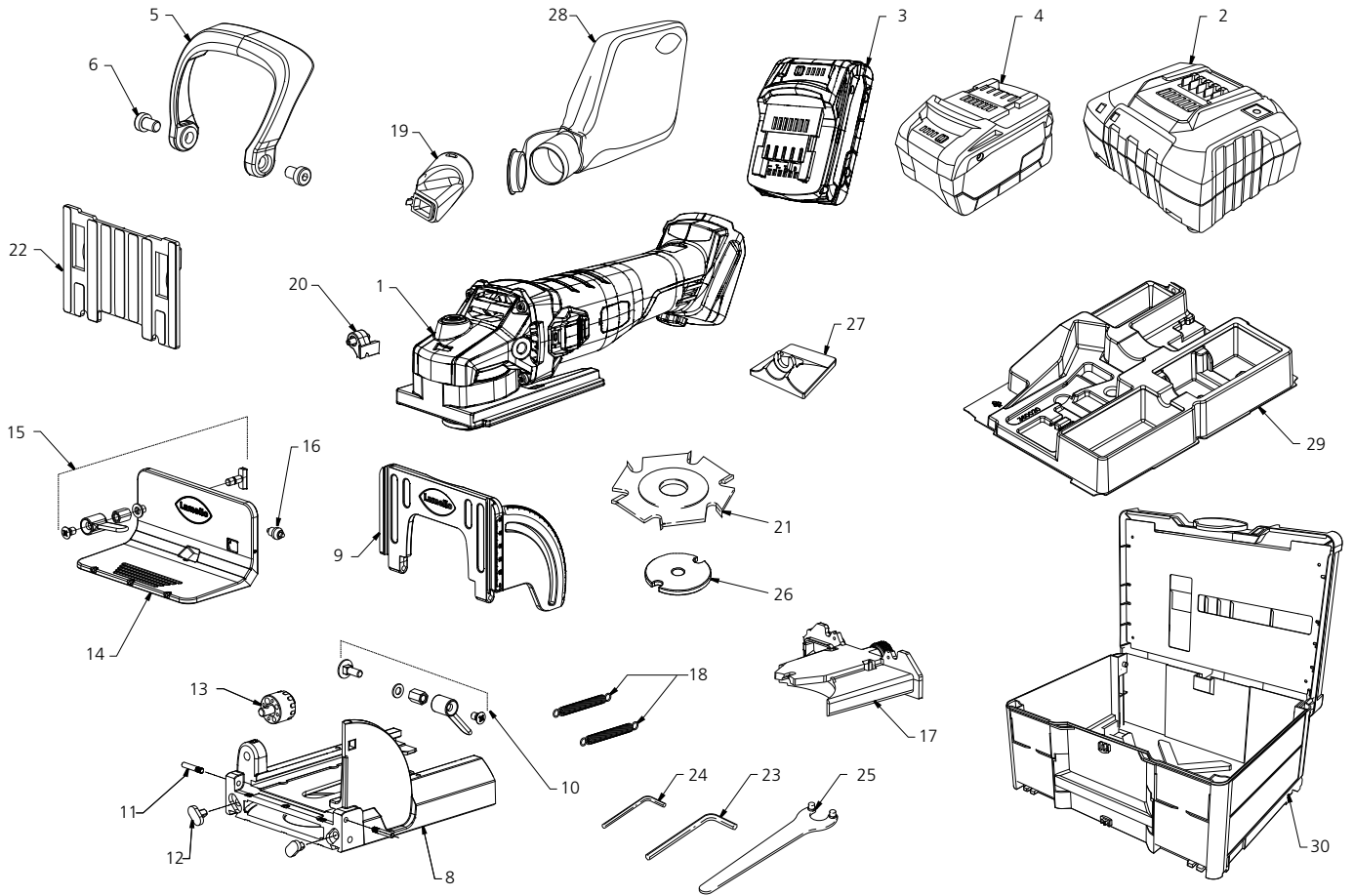
Continued on next page



Classic X cordless (L83)

Biscuit joiner

Spare parts



Pos.	Description	Art. No.	Availability
1	Electric motor L83, Classic X cordless	308300DE	
	Electric motor L83, Classic X cordless	308300CH	
	Electric motor L83, Classic X cordless	308300US	
	Electric motor L83, Classic X cordless	308300GB	
	Electric motor L83, Classic X cordless	308300AU	
2	Battery charger ASC 55, plug type C Euro	see Accessories/Tools	
	Battery charger ASC 55, plug type C Euro	see Accessories/Tools	
	Battery charger ASC 55, plug type G	see Accessories/Tools	
	Battery charger ASC 55, plug type A	see Accessories/Tools	
	Battery charger ASC 55, plug type 1	see Accessories/Tools	
3	Battery pack 18 V, LiHD 4.0 Ah	see Accessories/Tools	
4	Battery pack 18 V, Li HD 5.5 Ah	see Accessories/Tools	
5	Handle	251015	
6	Cheese head screw M8 x 12 mm	352812	
8, 9, 10, 11, 12, 13	Base plate for Classic X with Swivelling front	257571	
9	Swivelling front	251042	
10	Clamping lever complete for swivelling stop	251047	
11	Hinge bell	341020	
12	Anti-slip pad (pair)	331050	
13	Depth adjuster for biscuit joiner	251012	
14	Stop square	251044	
15	Clamping jaw with clamping lever	251046	

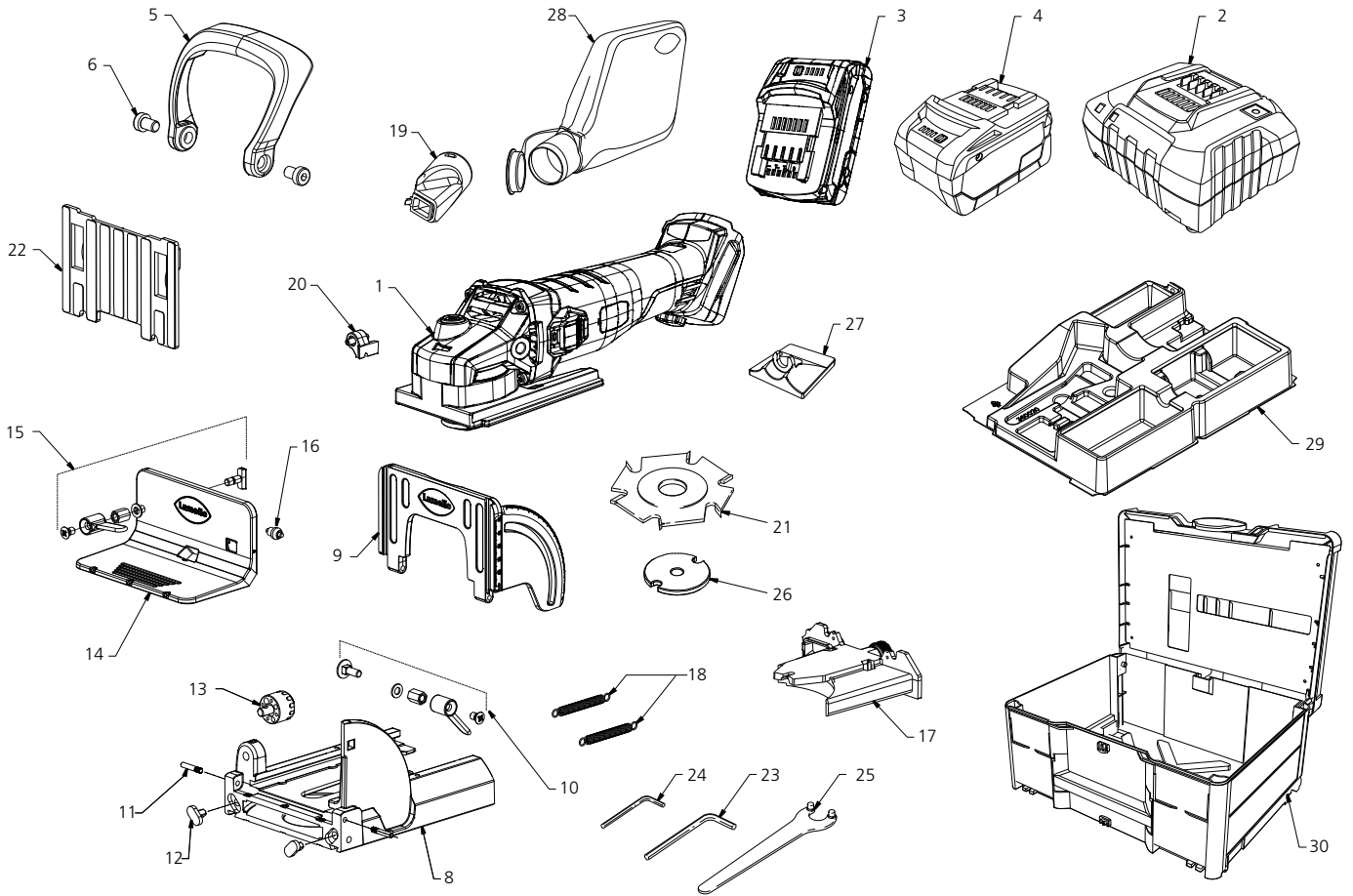
Continued on next page



Classic X cordless (L83)

Biscuit joiner

Spare parts



Pos.	Description	Art. No.	Availability
16	Roll for stop square	251049	
17	Cassette with central locking	251055	
18	Tension spring 0.8 x 6 x 45.4mm	351110	
19	Suction stub 36 mm for biscuit joiner	see Accessories/Tools	
20	Stop for depth adjuster for biscuit joiner	254051	
21	Groove cutter HW for Classic X	see Accessories/Tools	
22	Spacer 4 mm, plastic	see Accessories/Tools	
23	Allen key 2 mm	see Accessories/Tools	
24	Allen key 5 mm	see Accessories/Tools	
25	Face spanner 35/5 mm for Classic X	see Accessories/Tools	
26	Loose flange	341092	
27	Anti-tip protection for Classic X, Zeta P2 cordless	331008	
28	Dust bag	see Accessories/Tools	
29	Systainer ³ M 187	see Accessories/Tools	
30	Systainer ³ M 187 Plastic inlay	see Accessories/Tools	
31	Systainer ³ inlay cover charger	see Accessories/Tools	
32	Systainer ³ inlay cover battery	see Accessories/Tools	

Continued on next page



Classic X (L81) ¹, Classic X (L82), Classic X cordless (L83)

Biscuit joiner

Accessories/Tools

Pos.	Description	Art. No.	Availability
	Suction set 23 Inner diameter 23 mm 3 m suction hose black Conical connecting piece for hose Ø 30–42 mm	for biscuit joiners, Variocut, 3S, G2A 121810	
	Suction hose, black, LW 23 mm, per meter	331808	
	Connecting piece, conical, for suction hose LW 23 mm	331802	
	Suction hose adapter, for suction set 23 and 30 54 and 58 mm	331805	
	Suction stub 23 mm	for biscuit joiner, Perfora, Saw unit Patchmaker 331006	
	Deflector stub	for biscuit joiner 331005	
16 	Extractor stub 36 mm	331007	
	Dust bag	253026	
	Carbide tipped groove cutter (Ø 78 × 3 × 22 mm, Z4), 4 Screw holes, with hub for biscuit H9 without hub, with spacer	for Zeta, Top 20, Top 21, Classic 257532	
	Carbide tipped groove cutter (Ø 100 × 4 × 22 mm, Z2, + V4 scoring teeth), 4 screw holes, hub, 4 countersunk screws M4 × 8 mm Torx (352408T)	for Zeta, Top 20, Top 21, Classic 132009	
	Carbide tipped groove cutter (Ø 100 × 4 × 22 mm, Z6, for Classic (3 + 3), alternating teeth, without hub, with spacer (Ø 40 × 22 × 0.7 mm) (322505)	132000	
		132106	

¹ Year of discontinuation: 2021







Continued on next page



Classic X (L81), Classic X (L82), Classic X cordless (L83)

Biscuit joiner

Accessories/Tools

Pos.	Description	Art. No.	Availability
	Spacer (Ø 40 × 22 × 0.7 mm)	322505	
	Carbide tipped saw blades for expansion gaps (Ø 100 × 2.4 × 22 mm, Z20), 4 screw holes, 2 spacers (322510) 4 countersunk screws M4 × 8 mm Torx (352408T)	for Zeta, Top 20, Top 21, Classic	132350
	Spacer (Ø 40 × 22 × 1 mm), with screw holes	for Zeta, Top 20, Top 21, Classic	322510
	Flange M8 (342502), 4 countersunk screws M4 × 6 mm (352406)	for Classic	252502
	Countersunk screws M4 × 6 mm		352406
	Carbide tipped groove cutter with reversible blades (Ø 100 × 4 × 22 mm, Z2,+ V2), 4 screw holes with hub, 4 countersunk screws M4 × 8 mm Torx (352408T), 1 Allen key 4 mm (271959L)	for Zeta, Top 20, Top 21, Classic	132001
	Set of 4 pieces	for Art. 132001	132111
	Allen key 4 mm long	for Art. 132001	271959L
18 	Carbide tipped groove cutter with reversible blades (Ø100x4x22 mm, Z4 +V4), 4 screw holes without hub, with spacer (322511), 4 countersunk screws M4 × 8 mm Torx (352408T)	for Zeta, Top 20, Top 21, Classic	132130
	Spacer (Ø 40 × 22 × 0.4mm) with screw holes		322511
	Set of 10 pieces main teeth	for Art. 132130	132134
	Set of 10 pieces scoring teeth	for Art. 132130	132135
	Flange M8		342502

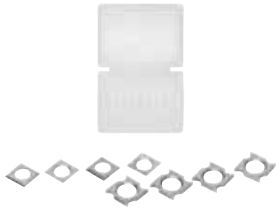









Continued on next page



Classic X (L81) ¹, Classic X (L82), Classic X cordless (L83)

Biscuit joiner

Accessories/Tools

Pos.	Description	Art. No.	Availability
	Replacement-Set, 4 scoring teeth + 4 main teeth	for Art. 132130	132133
	Torx screw	for Art. 132130	352130
	Torx key T9	for Art. 132130	352133
	Carbide tipped groove cutter with reversible blades (Ø 100 × 8 × 22 mm, Z4, + V4), 4 screw holes, (Clamex S 18 connector) 1 Allen key 2.5 mm (271943) 4 countersunk screws M4 × 8 mm Torx Tuflok (352408F) 1 Torx key TX25 (271935)	for Top 20, Top 21, Classic	132108
	Set of 10 pieces scoring teeth	for Art. 132108	132137
	Set of 10 pieces main teeth	for Art. 132108	132136
	Replacement-Set, 4 scoring teeth + 4 main teeth	for Art. 132108	132114
	Torx Socket-head key TX25		271935
	Allen key 2.5 mm		271943
	Depth setting gauge for groove cutter 8mm	for Art. 132108	132110
	Countersunk screws M4 × 8 mm Torx Tuflok, for Pos. 18		352408F
	Countersunk screw M4 × 8 mm, Torx, for Pos. 18		352408T
20	Allen key 2 mm, for Pos. 10		271942
21	Allen key 5 mm, for Pos. 14		271953
22	Face spanner, for Pos. 23		271982
			

¹ Year of discontinuation: 2021

Continued on next page



Classic X (L81) ¹

Biscuit joiner

Accessories/Tools

Pos.	Description	Art. No.	Availability
24	Systainer II T-loc until 2022	331565	31.12.2027
			
25	Systainer ³ M 187 from 2023	331579	
			
25	Plastic inlay until 2022	360014	31.12.2027
	Systainer ³ M 187 inlay from 2023	360020	
26	Systainer ³ inlay cover charger	360021	
27	Systainer ³ inlay cover battery	360022	
	Slide shoe, to protect the wall and the machine from year of manufacturer 1999	251057	for Experta, Classic C2, C3 Top 20, S, S2, S3, S4, Top 21, Zeta
	Battery charger ASC 55, plug type C Euro	123100DE	
	Battery charger ASC 55, plug type C Euro	123100CH	
	Battery charger ASC 55, plug type G	123100US	
	Battery charger ASC 55, plug type A	123100GB	
	Battery charger ASC 55, plug type 1	123100AU	
	Battery pack 18 V, LiHD 4.0 Ah	313013	
	Battery pack 18 V, LiHD 5.5 Ah	313015	

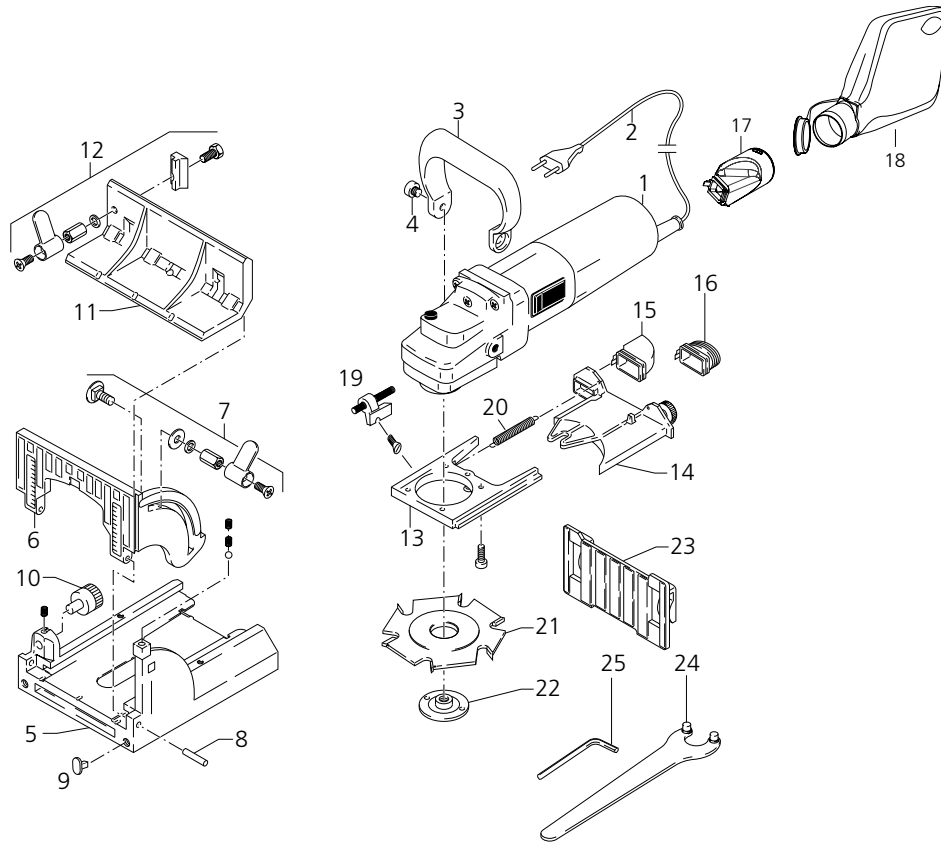
¹ Year of discontinuation: 2021



Classic C3 (L46)¹

Biscuit joiner

Spare parts



Pos.	Description	Art. No.	Availability
1	Electric motor L81, 230 V, DE	308101DE	
	Electric motor L81, 230 V, CH	308101CH	
	Electric motor L81, 120 V, US	308101US	
2	Cable with EU-plug Typ C, 2 × 1 mm ² , Ø 8.1 mm	313720	
	Cable with Schuko-plug Typ F, 2 × 1 mm ² , Ø 8.1 mm	313721	
	Cable with US-plug, 2 × 1 mm ² , Ø 8.1 mm	315012	
	Cable with AUS / NZ-plug, 2 × 1 mm ² , Ø 8.1 mm	315013	
3	Handle	251016	31.12.2025
4	Cheese head screw M8 × 16 mm	352816	
5	Baseplate with swivelling stop, with scale in mm	251050	31.12.2023
6	Swivelling stop, with scale in mm	251052	31.12.2023
7	Clamping lever complete	251047	
8	Hinge bolt	341020	
9	Anti-slip pad	331050	
10	Depth adjuster	251012	
11	Stop square	251054	31.12.2023
12	Clamping jaw	251018	31.12.2023
13	Guide	254550	31.12.2023
14	Cassette with central locking	251055	
15	Guide stub	see Accessories/Tools	
16	Suction stub	see Accessories/Tools	
17	Adapter 36 mm	see Accessories/Tools	
18	Dust bag	see Accessories/Tools	

¹ Year of discontinuation: 2013

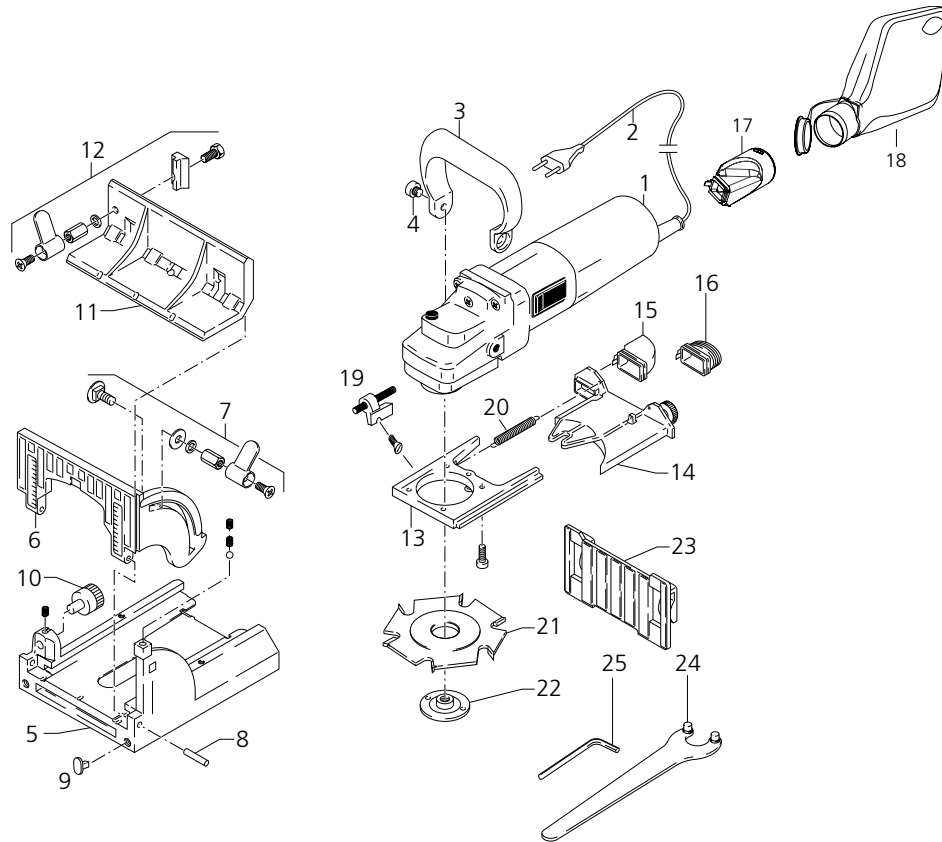
Continued on next page



Classic C3 (L46)¹

Biscuit joiner

Spare parts



Pos.	Description	Art. No.	Availability
19	Stop for depth adjuster	254051	
20	Tension spring	351110	
21	HW cutter (Ø 100 × 4 × 22 mm)	see Accessories/Tools	
22	Clamping nut	314546	31.12.2025
23	Thickness plate 4 mm	see Accessories/Tools	
24	Face spanner 30/5 mm	see Accessories/Tools	
25	Allen key 2 mm	see Accessories/Tools	

¹Year of discontinuation: 2013







Continued on next page



Classic C3 (L46)¹

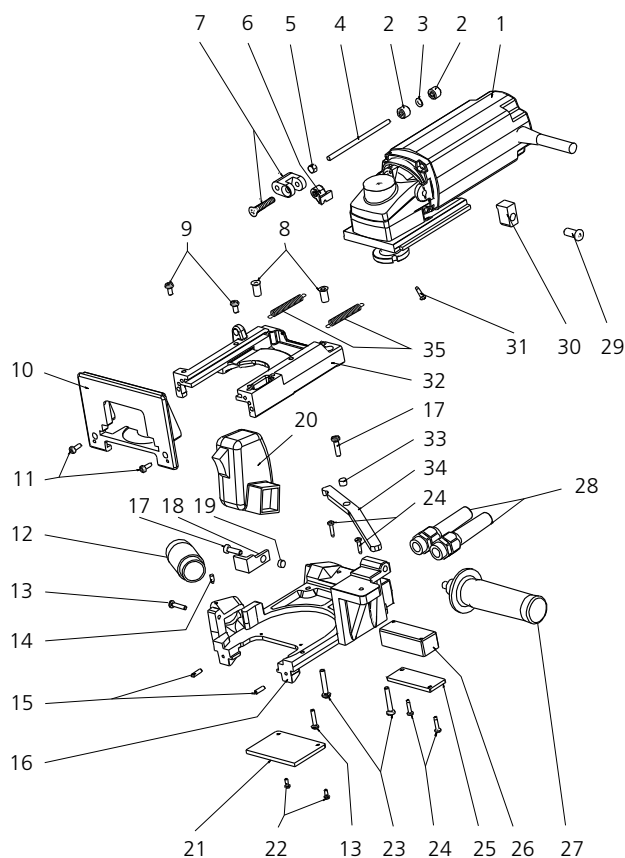
Biscuit joiner

Accessories/Tools

Pos.	Description		Art. No.	Availability
16	Suction stub 23 mm	for biscuit joiner, Perfora, Saw unit Patchmaker	331006	
				
15	Deflector stub	for biscuit joiner	331005	
				
17	Extractor stub 36 mm		331007	
				
18	Dust bag		257532	
				
21	Carbide tipped groove cutter (Ø 100 × 4 × 22 mm, Z6, for Classic (3 + 3), alternating teeth, without hub, with spacer (Ø 40 × 22 × 0.7 mm) (322505)		132106	
				
23	Thickness plate 4 mm		253024	31.12.2024
24	Face spanner 30/5 mm		271949	31.12.2025
25	Allen key 2 mm		271942	
	Slide shoe, to protect the wall and the machine from year of manufacturer 1999	for Experta, Classic C2, C3 Top 20, S, S2, S3, S4, Top 21, Zeta	251057	

¹Year of discontinuation: 2013

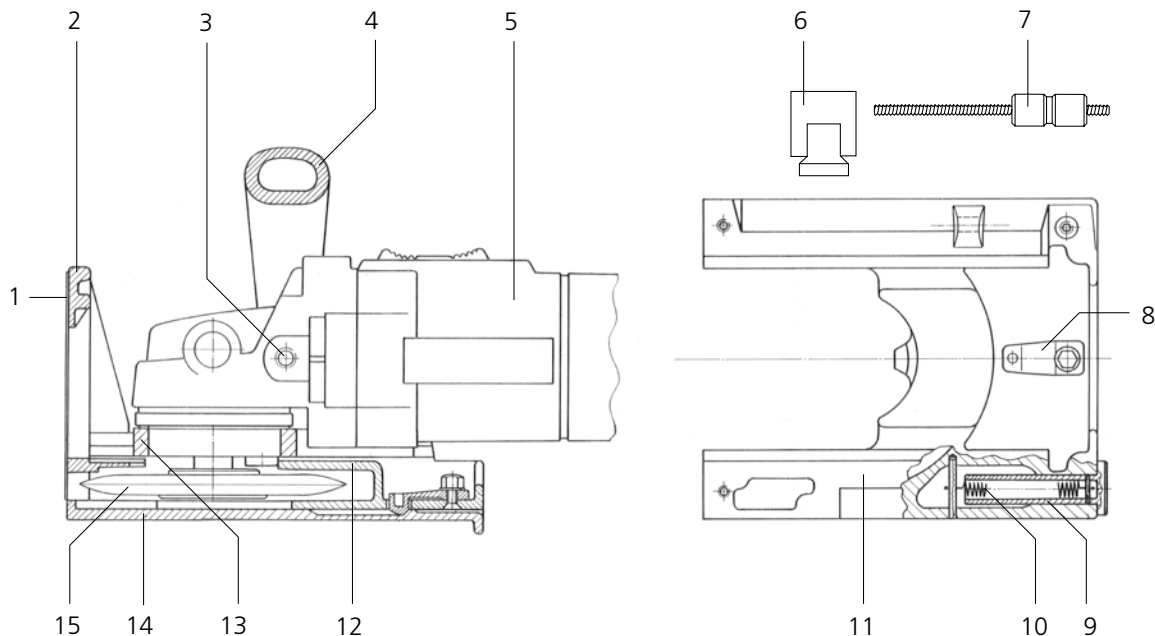
Spare parts



Pos.	Description	Art. No.	Availability
1	Electric motor, complete, with guide L62 S2 230 V	306200	31.12.2029
	Electric motor, complete, with guide L62 S2 120 V	306200US	31.12.2029
2	Milled nut M5 × 10 mm	341215	31.12.2030
3	Ring nut PA 6 Ø 10 × 6 × 1.5 mm	341112	31.12.2030
2, 3, 4, 5	Depth adjuster	251212	31.12.2030
6, 7, 31	Holder for depth adjuster complete	251706	31.12.2030
8, 32	Base plate	251751	31.12.2029
9, 10, 11	Front plate for Minispot	251731	31.12.2029
12, 14	Suction stub, grub screw	251752	31.12.2029
15	Tip (pair)	251735	31.12.2029
16, 13, 23, 24, 25, 26	Bottom plate with screws, complete	251757	31.12.2029
17, 18, 19	Locking catch, complete	251754	31.12.2029
17, 33, 34	Advance handle, complete	251733	31.12.2029
20	Handle, right, with switch	251737	31.12.2034
21, 22	Cover	251732	31.12.2029
27	Handle M8	251736	31.12.2029
28	Cable protection	331732	31.12.2029
29, 30	Carrier and screw	251756	31.12.2029
35	Tension spring (pair)	251758	31.12.2029

¹ Year of discontinuation: 2019

Spare parts



Pos.	Description	Art. No.	Availability
1	Anti slide surface	331740	31.12.2030
1, 2	Front plate	251704	31.12.2030
3	Cheese head screw M8 x 16 mm	352816	
4	Handle	251015	
	Handle, red for L45/L46	251016	31.12.2025
5	Electric motor L81, 230 V DE incl handle	308110DE	
	Electric motor L81, 230 V CH incl handle	308110CH	
	Electric motor L81, 120 V US incl handle	308110US	
6	Holder for depth adjuster, complete	251706	31.12.2030
7	Depth adjuster, complete	251212	31.12.2030
	Ring nut PA6 10 x 6 x 1.5 mm	341112	31.12.2030
	Milled nut M5 x 10 mm	341215	31.12.2030
	Milled nut M5 x 16 mm	341214	31.12.2030
8	Snap-fit	331704	31.12.2030
9, 10	Spring barell	251703	31.12.2030
11, 8, 9, 10	Base plate L45/L46	251705	31.12.2025
12	Tension spring	351110	
13	Guide L45/L46	254552	31.12.2025
	Guide L81	251011	31.12.2030
		+251706	
14	Bottom covering, transparent	331700	31.12.2030
15	Minispot cutter		see Accessories/Tools

¹ Year of discontinuation: 2020

² Year of discontinuation: 2015



Continued on next page



G2A (L81¹ / L46² / L45²)

Minispot wood repairing machine

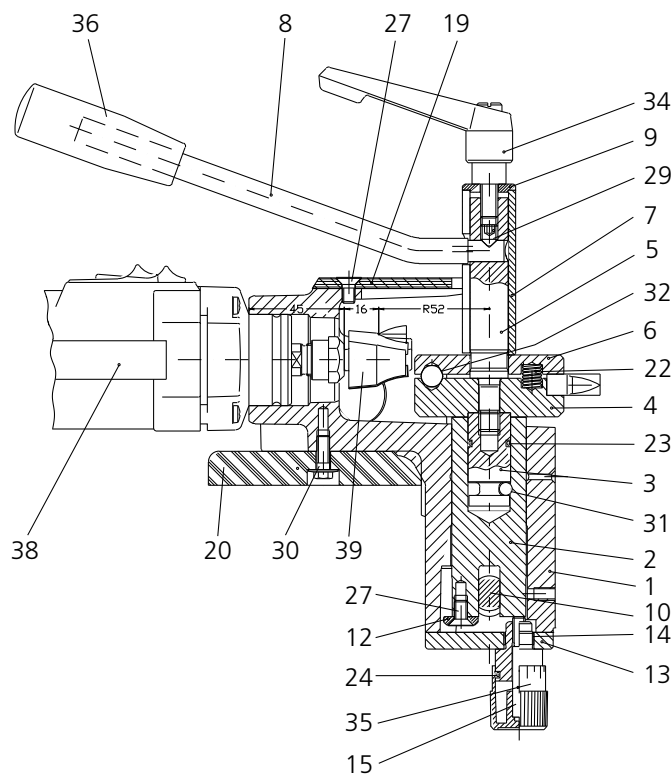
Accessories/Tools

Pos.	Description	Art. No.	Availability
15	Minispot cutter, 4 countersunk screws M4 × 8 mm Torx (352408T)	132217	31.12.2025
			
	4 countersunk screws M4 × 8 mm Torx	352408T	

¹ Year of discontinuation: 2020

² Year of discontinuation: 2015

Spare parts

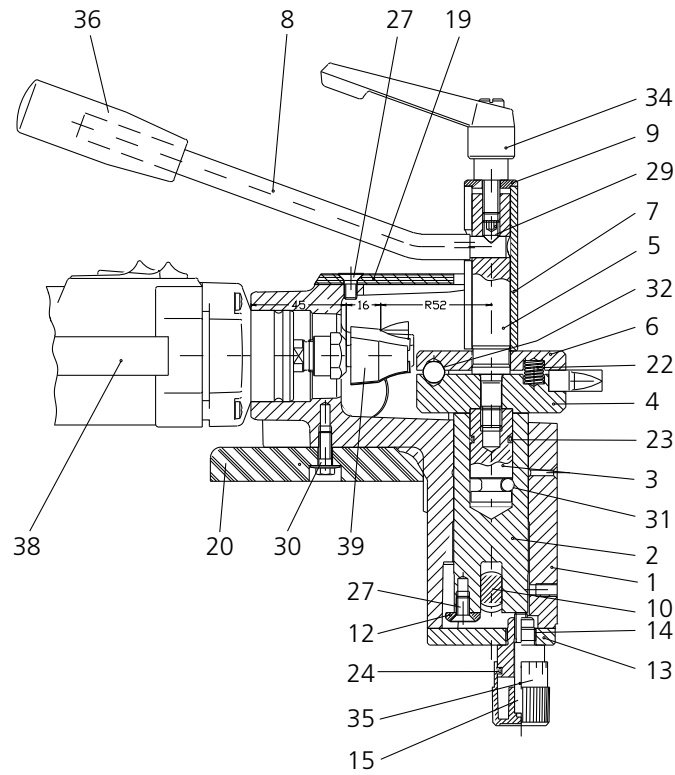


Pos.	Description	Art. No.	Availability
1–38	Milling unit with Motor CH	111605	31.12.2027
	Milling unit with Motor DE	111605D	31.12.2027
	Milling unit with Motor US	111605US	31.12.2027
1	Housing for cutting unit	261600	31.12.2027
2, 31	Lifter rod with cylindric bold	251601	31.12.2027
3, 4, 5, 23	Clamping unit bottom, complete	251602	31.12.2027
6	Clamping unit top Ø 70 x 9 mm	341612	31.12.2027
7	Clamping bush Ø 25/18 x 77.5 mm	341613	31.12.2027
8	Turning lever Ø 12 x 210 mm	341614	31.12.2027
9	Curved washer Ø 25 x 4 mm	341602	31.12.2027
10	Lifter level Ø 16 x 170 mm	341615	31.12.2027
12, 27	Stop sleeve with screw	251603	31.12.2027
13, 14, 24	Cover, O-Ring, threaded sleeve	251604	31.12.2027
15, 35	Thread shaft, turning lever	251605	31.12.2027
19, 27	Cover with screws	251600	31.12.2027
22	Pressure spring	351601	31.12.2027
29	Screwed pin M8 x 10 mm (90°-top)	357810	31.12.2027
30	Hexagon screw M6 x 16 mm	352618	31.12.2027
31	Cylindrical pin	357628	31.12.2027
32	Ball Ø 10 mm	359100	31.12.2027
34	Clamping lever M8 x 16 mm black	355816	31.12.2027
36	Handle Ø 26 / 12 x 80 mm	355161	31.12.2027

¹ Year of discontinuation: 2017

Continued on next page

Spare parts



Pos.	Description	Art. No.	Availability
37 without picture	Handle M8	313160	31.12.2027
38	Electric motor L51 230 V CH	305100CH	31.12.2027
	Electric motor L51 230 V DE	305100D	31.12.2027
	Electric motor L51 110 V US	305100US	31.12.2027
39	Profile cutter Patchmaker, HW, Z2	see Accessories/Tools	

¹Year of discontinuation: 2017

Continued on next page




Patchmaker 2 (L51)¹

Wood repairing machines

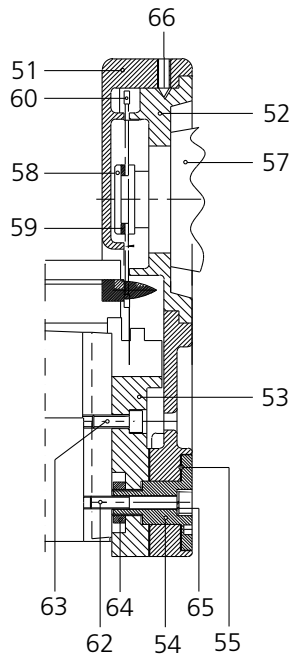
Accessories/Tools

Pos.	Description	Art. No.	Availability
39	Profile cutter Patchmaker, HW, Z2	131600	31.12.2027



¹ Year of discontinuation: 2017

Spare parts



Pos.	Description	Art. No.	Availability
51, 53, 54, 55, 62–66	Swivelling lever, complete + cover without Motor	251606	31.12.2027
52	Cover	261611	31.12.2027
53	Covering for sawing unit	261612	31.12.2027
57	Electric motor D7640H 230 V CH	305201CH	31.12.2027
	Electric motor D7640H 230 V DE	305201D	31.12.2027
	Electric motor D7640H 120 V US	305201US	31.12.2027
58	Clamping nut (Flange)	no more available	341355
59	Spacer (Ø 32 × 22 × 1.5 mm)	no more available	341621
60	Saw blade, HW (Ø 100 mm, Z20)	see Accessories/Tools	

¹ Year of discontinuation: 2011




Patchmaker 2 – Saw unit L49 (D7640H) until 2012¹

Wood repairing machines

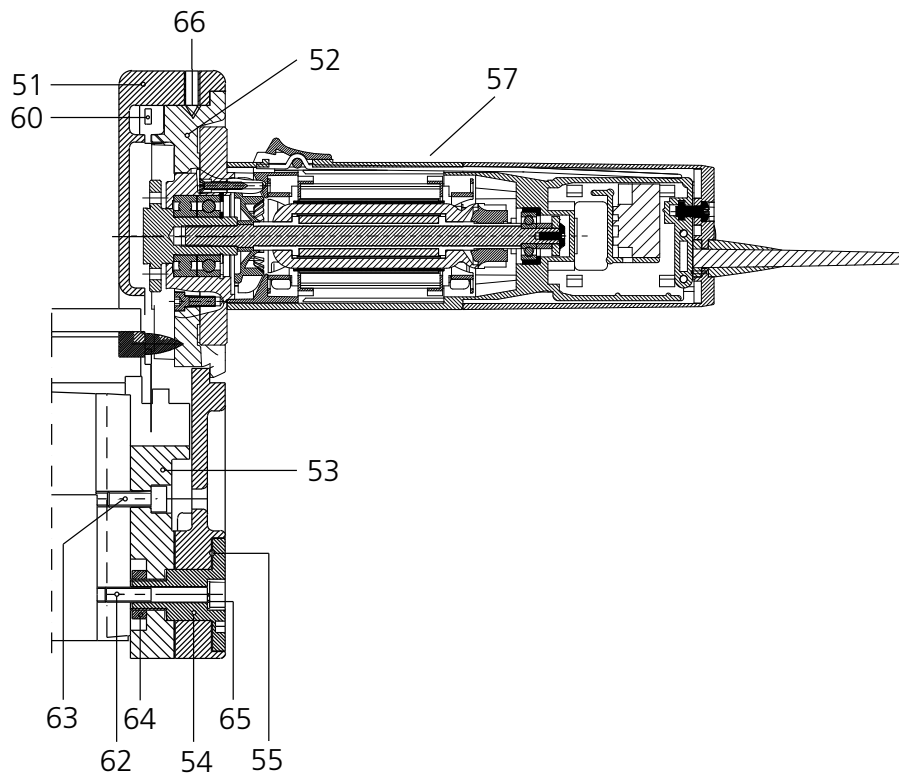
Accessories/Tools

Pos.	Description	Art. No.	Availability
60	Saw blade, HW (Ø 100 mm, Z20)	132301	31.12.2025



¹ Year of discontinuation: 2011

Spare parts



Pos.	Description	Art. No.	Availability
51, 53, 54, 55, 62–66	Swivelling lever, complete + cover without Motor	251606	31.12.2027
52	Cover	261611	31.12.2027
53	Covering for sawing unit	261612	31.12.2027
57	Electric motor L52 230 V CH	305201CH	31.12.2027
	Electric motor L52 230 V DE	305201D	31.12.2027
	Electric motor L52 120 V US	305201US	31.12.2027
60	Saw blade, HW (Ø 100 mm, Z20)	see Accessories/Tools	

¹Year of discontinuation: 2017





Continued on next page



Patchmaker 2 – Saw unit L52 from 2013¹

Wood repairing machines

Accessories/Tools

Pos.	Description	Art. No.	Availability
60	Saw blade, HW (Ø 100 mm, Z20)	132301	31.12.2025
			
	Set Carbide tipped saw blades for expansion gaps (Ø 100 × 2.4 × 22 mm, Z20, 4 screw holes), 2 spacers (322510), 4 countersunk screws M4 × 8 mm Torx (352408T)	for Zeta, Top 20, Top 21, Classic 132350	
	Countersunk screws M4 × 8 mm Torx	352408T	
	Spacer (Ø 40 × 22 × 1 mm), with screw holes	322510	

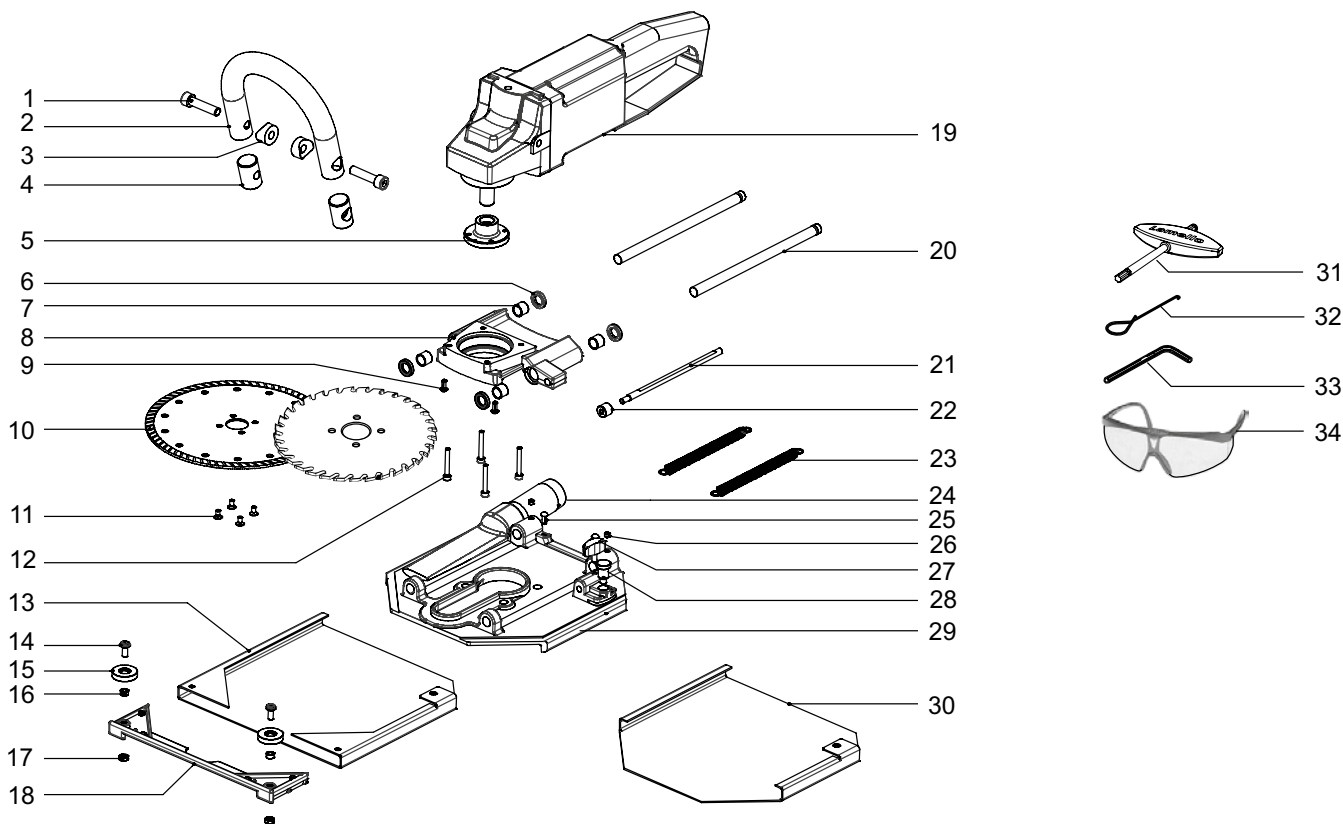
¹Year of discontinuation: 2017



Tanga Delta (L73¹, L74²)

Multipurpose cutters

Spare parts



Pos.	Description	Art. No.	Availability
1,2,3,4	Handle, complete	251552	31.12.2027
5	Flange	341521	31.12.2027
6,7,8,9	Guide complete	251551	31.12.2027
10	Diamond blade (Ø 180 mm)		see Accessories/Tools
	Diamond blade (Ø 200 mm)		see Accessories/Tools
	HW Saw blade (Ø 180 mm, Z12)		see Accessories/Tools
	HW Saw blade (Ø 180 mm, Z24)		see Accessories/Tools
	HW Saw blade nail resistant (Ø 180 mm, Z24)		see Accessories/Tools
	HW Saw blade (Ø 200 mm, Z12)		see Accessories/Tools
	HW Saw blade (Ø 200 mm, Z24)		see Accessories/Tools
	HW Saw blade nail resistant (Ø 200 mm, Z24)		see Accessories/Tools
11	Countersunk screw M4 x 8 mm Torx, Tuflock		see Accessories/Tools
12	Cheese head screw M4 x 30 mm, In-6kt.	352430	31.12.2027
13	Bottom plate 2 mm	321547	31.12.2027
14	Flat-headscrew M5 x 8 mm for sliding guide		see Accessories/Tools
14,15,16,17	Wheel, complete (pair)		see Accessories/Tools
17	Hexagon nut M5	354005	31.12.2027
18	Sliding guide	331550	31.12.2027
19	Electric motor L74, 230 V CH	307400CH	31.12.2027
	Electric motor L74, 230 V DE	307400D	31.12.2027
20	Guide pins	341550	31.12.2027
21,22	Depth adjuster	251553	31.12.2027

¹Year of discontinuation: 2013

²Year of discontinuation: 2017

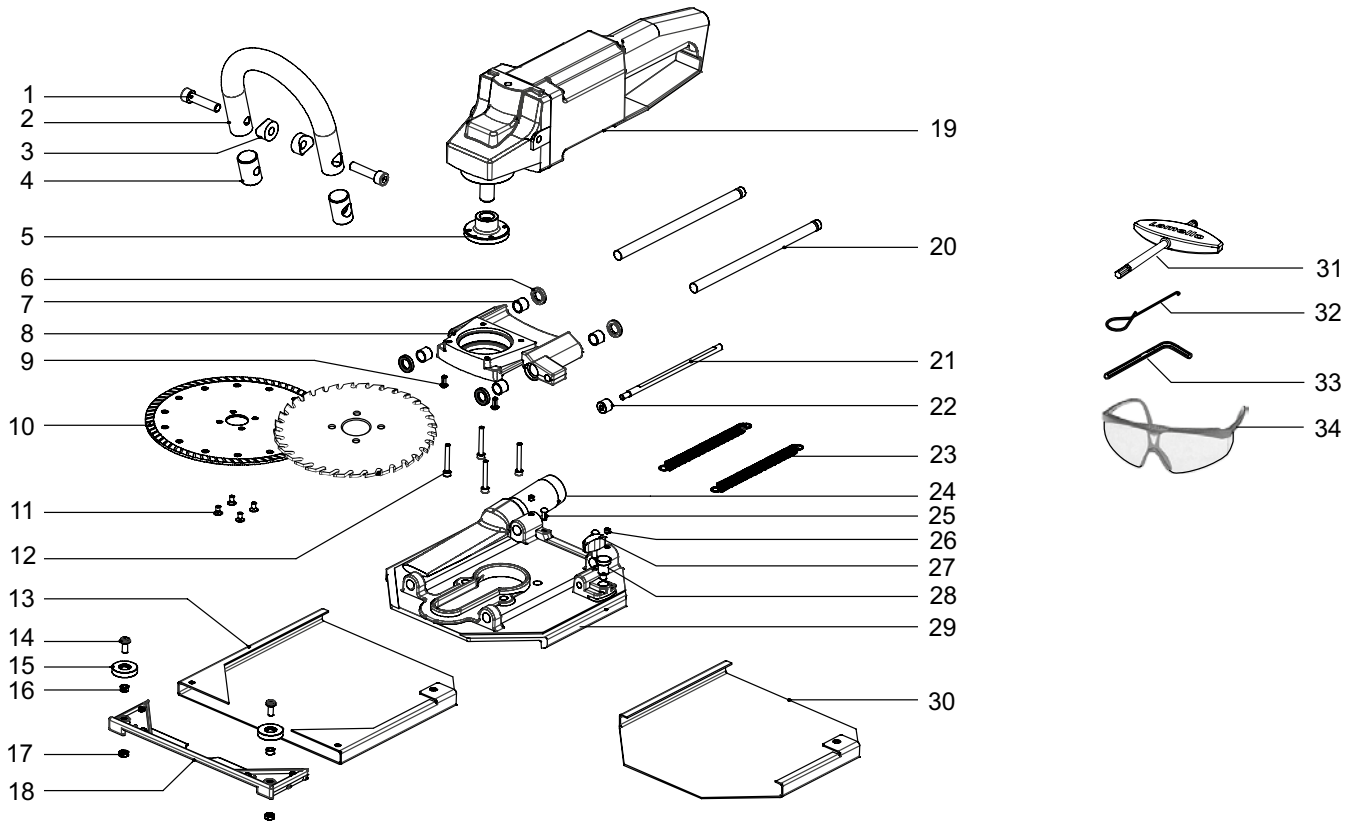
Continued on next page



Tanga Delta (L73¹, L74²)

Multipurpose cutters

Spare parts



Pos.	Description	Art. No.	Availability
23	Tension spring	351550	31.12.2027
24–29	Base plate, complete	251550	31.12.2027
27	Screw for depth adjustment	355510	31.12.2027
28	Stift with compression spring	351551	31.12.2027
30	Bottom plate 2 mm, with corners 45°		see Accessories/Tools
31	TORX key TX20 „Lamello“		see Accessories/Tools
32	Wire hook		see Accessories/Tools
33	Socket-head key 6 mm		see Accessories/Tools
34	Protective glasses		see Accessories/Tools

¹Year of discontinuation: 2013

²Year of discontinuation: 2017








Continued on next page



Tanga Delta (L73¹, L74²)

Multipurpose cutter

Accessories/Tools

Pos.	Description	Art. No.	Availability
10 	Diamond blade (Ø 180 × 2.6 × 22 mm), (cutting depth 58 mm), 4 screw holes, 4 countersunk screws M4 × 8 mm Torx Tuflok (352408F)	132519	31.12.2027
10 	Diamond blade (Ø 200 × 2.4 × 22 mm), (cutting depth 68 mm), 4 screw holes, for a clean cut into tiles and plaster, 4 countersunk screws M4 × 8 mm Torx Tuflok (352408F)	132517	31.12.2027
10 	HW Saw blade (Ø 180 mm, Z12)	132317	31.12.2027
10 	HW Saw blade (Ø 180 mm, Z24)	132318	31.12.2027
10 	HW Saw blade nail resistant (Ø 180 mm, Z24)	132319	31.12.2027
10 	HW Saw blade (Ø 200 × 2.4 × 22 mm, Z12), (cutting depth 68 mm), 4 screw holes	132322	31.12.2027
10 	HW Saw blade (Ø 200 × 2.4 × 22 mm, Z24), (cutting depth 68 mm), 4 screw holes, higher resistance against dust, high cutting performance	132320	31.12.2027

¹ Year of discontinuation: 2013

² Year of discontinuation: 2017

Continued on next page



Tanga Delta (L73¹, L74²)

Multipurpose cutter

Accessories/Tools

Pos.	Description	Art. No.	Availability	
10	 HW Saw blade nail resistant (Ø 200 × 2.4 × 22 mm, Z24 special), (cutting depth 68 mm), 4 screw holes, only suitable for dipping	132321	31.12.2027	
10	 HW Saw blade (Ø 200 × 2.2 × 22 mm, Z32), (cutting depth 68 mm), for aluminium windows	132324	31.12.2027	
10	 Diamond blade (Ø 200 × 2.6 × 22 mm), (cutting depth 68 mm), 4 screw holes, segmented for soft materials, 4 countersunk screws M4 × 8 mm Torx Tuflok (352408F)	132522	31.12.2027	
10	 Diamond blade (Ø 200 × 1.8 × 22 mm), (cutting depth 68 mm), 4 screw holes, for PVC windows with steel core, 4 countersunk screws M4 × 8 mm Torx Tuflok (352408F)	132523	31.12.2027	
11	 Countersunk screw M4 × 8 mm Torx Tuflok	352408F		
14	Flat-headscrew M5 × 8 mm for sliding guide	352509	31.12.2027	
14,15,16,17	 Wheel, complete (pair) for base plate	251554	31.12.2027	
30	 Bottom plate 2 mm, with corners 45°	321548	31.12.2027	
	 Rabbit stop	for Tanga Delta H, S2	121556	31.12.2027
31	TORX key TX20 „Lamello“, for Pos. 11	271933		

¹ Year of discontinuation: 2013

² Year of discontinuation: 2017

Continued on next page



Tanga Delta (L73¹, L74²)

Multipurpose cutter

Accessories/Tools

Pos.	Description	Art. No.	Availability
32	Wire hook, for Pos. 23	271957	
34	Protective glasses	251538	31.12.2027
	Suction set 30 Inner diameter 30 mm 4 m suction hose with adapter 58 mm	for Tanga Delta, G20 121820	31.12.2027



Note:

It is essential to use original Lamello tools to prevent damage to the machine and to achieve a good cutting quality.

¹ Year of discontinuation: 2013

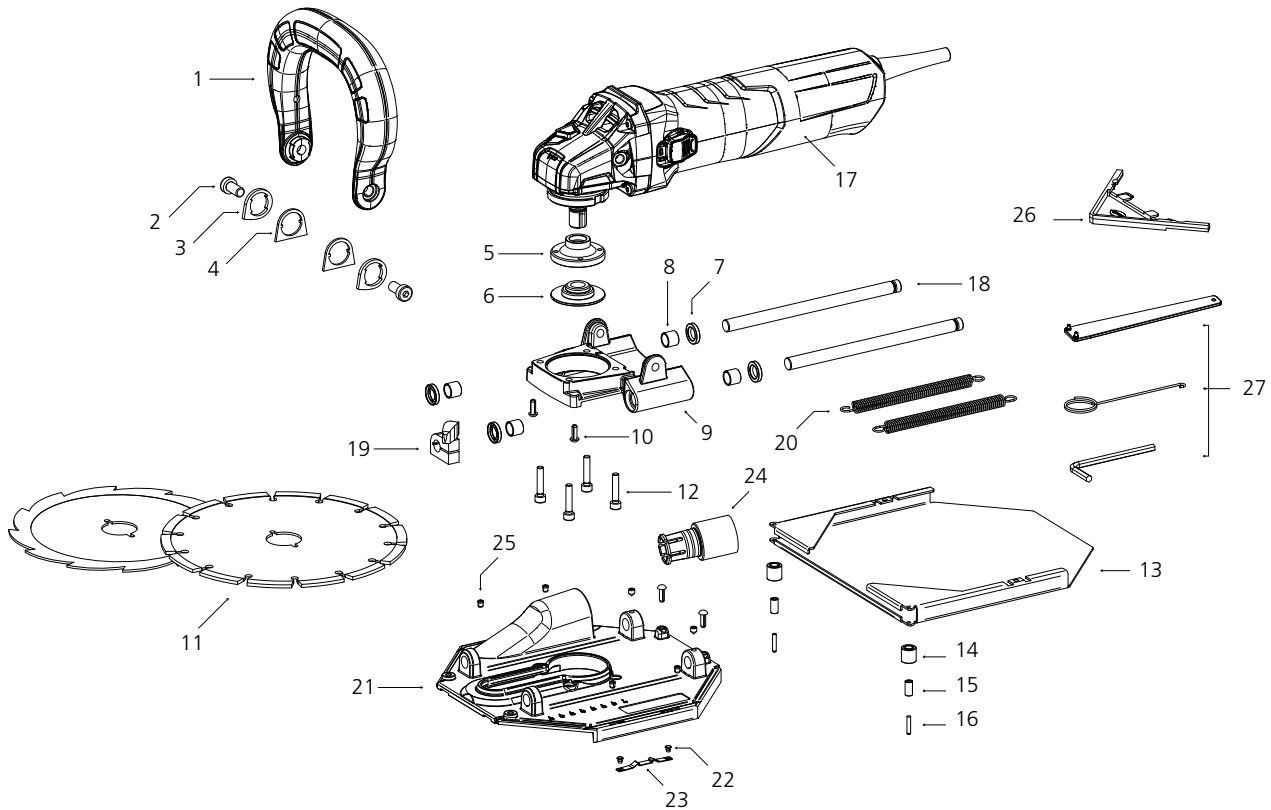
² Year of discontinuation: 2017



Tanga DX200 (L75)

Multipurpose cutter

Spare parts



Pos.	Description	Art. No.	Availability
1, 2, 3, 4	Handle assembly	251560	
5	Clamping flange	251561	
6	Clamping nut	251562	
7, 8, 9, 10	Sliding guide assembly	251563	
11	Various blades	see Accessories/Tools	
12	Cheese head screw M5 x 25 mm	352528	
13, 14, 15, 16	Bottom plate complete	251564	
14, 15, 16	Wheel replacement set	251565	
17	Electric motor L75, 230 V CH	307500CH	
	Electric motor L75, 230 V DE	307500D	
18	Guide rails	251566	
19	Depth adjuster	251567	
20	Springs	251568	
21-25	Base plate assembly	251569	
22-23	Rivet + locking spring	251570	
24	Suction nozzle for Tanga DX200 (3 clamps)	see Accessories/Tools	
	Suction nozzle for Tanga DX200 (4 clamps)	see Accessories/Tools	
25	Spring-loaded pressure piece	351081	
26	Corner dust protection	see Accessories/Tools	
27	Tool set Tanga DX200 (Face wrench, Socket-head key 5 mm, Wire hook for tension spring)	see Accessories/Tools	
28 without picture	Systainer	see Accessories/Tools	
29 without picture	Foam Insert	see Accessories/Tools	







Continued on next page



Tanga DX200 (L75)

Multipurpose cutter

Accessories/Tools

Pos.	Description	Art. No.	Availability
11	 Diamond blade (Ø 180 × 2.4 × 29 mm), (cutting depth 60 mm), Cuts concrete, brick, plaster or tiles with very high cutting performance	for Tanga DX200 132530	
11	 Diamond blade (Ø 200 × 2.4 × 29 mm), (cutting depth 70 mm), Cuts concrete, brick, plaster or tiles	132531	
11	 Diamond blade (Ø 200 × 1.8 × 29 mm), (cutting depth 70 mm), Cuts plastic frames with steel frame reinforcement	132532	
11	 HW Saw blade (Ø 200 × 2.4 × 29 mm, Z12), (cutting depth 70 mm), Cuts into wooden frames	for Tanga DX200 132330	
11	 HW Saw blade (Ø 200 × 2.2 × 29 mm, Z24), (cutting depth 70 mm), 4 NL, Cuts into wooden frames very high cutting performance and increased lifetime with 24 teeth	132331	
11	 HW Saw blade (Ø 200 × 2.2 × 29 mm, Z32), (cutting depth 70 mm), Cuts into aluminium frames	132332	



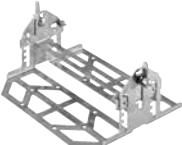
Continued on next page



Tanga DX200 (L75)

Multipurpose cutter

Accessories/Tools

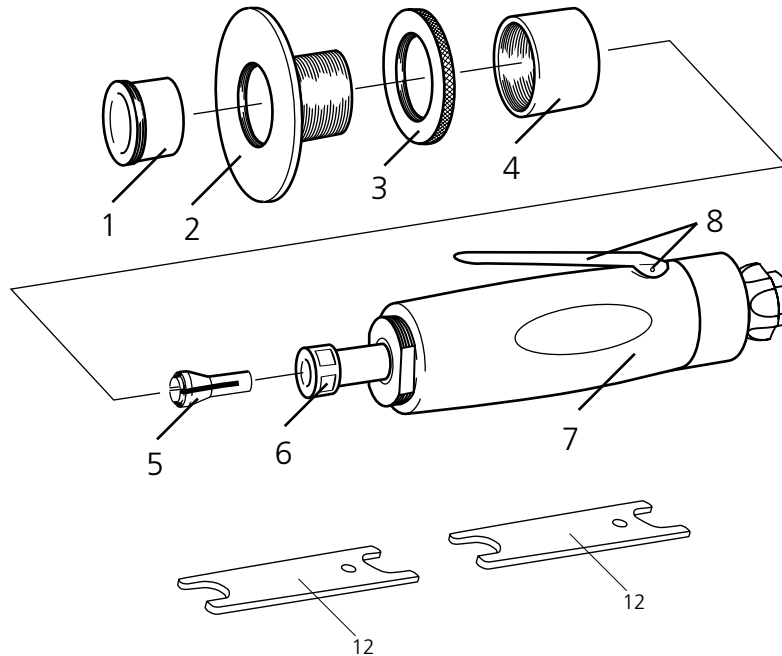
Pos.	Description	Art. No.	Availability
11	 HW Saw blade (Ø 200 × 2.2 × 29 mm, Z30), (cutting depth 70 mm), Cuts into wooden frames very high resistance to screws with 30 teeth	132333	
24	Suction nozzle for Tanga DX200 (3 clamps)	251571	
	Suction nozzle for Tanga DX200 (4 clamps)	251573	
26	Corner dust protection	251572	
27	Tool set Tanga DX200 1 Face wrench, 1 Socket-head key 5 mm (271953), 1 Wire hook for tension spring (271957)	267547	
28 without picture	Systainer	331569	
29 without picture	Foam Insert	367502	
	 Rabbit stop 0 to 50 mm For placement in the rabbit instead of on the reveal or the frame surface. Ideal for situations where the window is flush with the wall	121564	
	 Height adjustment 0 to 50 mm Allows the cutting height to be adjusted depending on the application	121565	



Profila Pro (P53)¹, Profila Pro Plus (P52)²

Edge milling machines

Spare parts



Pos.	Description	Art. No.	Availability
1	Reducing sleeve	see Accessories/Tools	
1 + 2	Base plate Ø 100/4 mm Profila Pro	see Accessories/Tools	
	Base plate Ø 100/34 mm with recess for Profila Pro Plus	see Accessories/Tools	
3	Milled nut for base plate Ø 100/34 mm	341956	31.12.2030
4	Screw socket	341957	31.12.2030
5	Collet chuck 8 mm	see Accessories/Tools	
6	Collet nut		
6, 7, 8	Pneumatic motor in exchange	251954	31.12.2030
	Spiral hose Ø 8 mm complete	see Accessories/Tools	301952A
	Spiral hose Ø 12 mm complete	see Accessories/Tools	
12	Pair of wrenches	see Accessories/Tools	

¹ Year of discontinuation: 2016

² Year of discontinuation: 2020




Continued on next page



Profila Pro (P53)¹, Profila Pro Plus (P52)²

Edge milling machines

Accessories/Tools

Pos.	Description	Art. No.	Availability
1	Reducing sleeve	341958	31.12.2025
1 + 2	Base plate Ø 100/34 mm Profila Pro	121984	31.12.2025
			
	Base plate Ø 100/34 mm, with recess for Profila Pro Plus	121987	31.12.2025
5	Collet chuck 8 mm	251988	31.12.2025
	Collet chuck ¼ (6.35 mm)	251967	31.12.2025
	Spiral hose Ø 8 mm complete	251957	31.12.2025
	Spiral hose Ø 12 mm complete	no more available	251953
12	Pair of wrenches	no more available	271980
	Dust cover Individually adjustable position, with stopper for the bearing	121900	31.12.2025

¹ Year of discontinuation: 2016

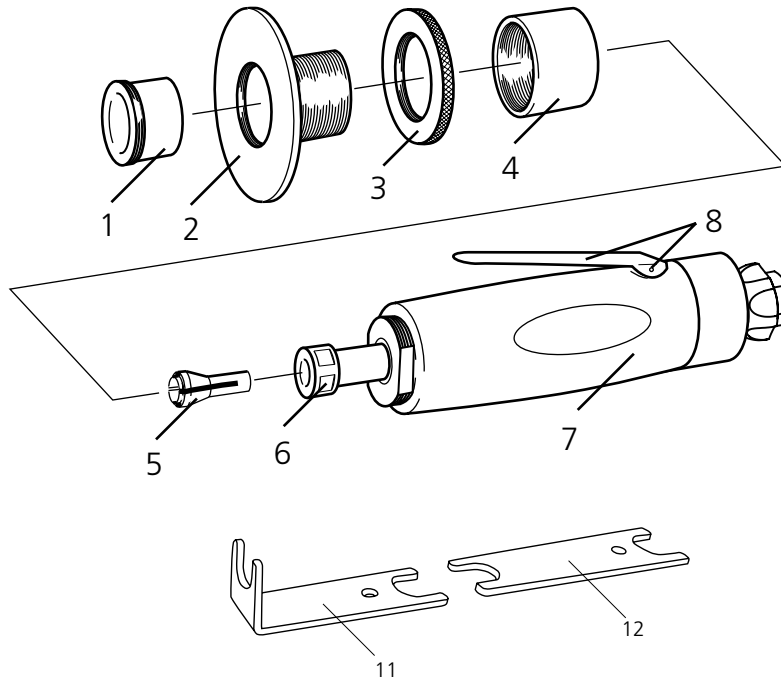
² Year of discontinuation: 2020



Profila P2 (P51)¹, Profila Pro (P53)²

Edge milling machines

Spare parts



Pos.	Description	Art. No.	Availability
1	Reducing sleeve	see Accessories/Tools	
2	Base plate without recess Ø 100/34 mm	see Accessories/Tools	
3	Milled nut for base plate Ø 100/34 mm	341956	31.12.2030
4	Screw socket for P51	341959	31.12.2026
	Screw socket for P53	341957	31.12.2030
5	Collet chuck 6 mm	see Accessories/Tools	
	Collet chuck ¼ (6.35 mm)	see Accessories/Tools	
	Collet chuck 8 mm	see Accessories/Tools	
6	Collet nut	251954	31.12.2030
6, 7, 8	Pneumatic motor	301953A	31.12.2030
	Spiral hose Ø 8 mm complete	see Accessories/Tools	
	Spiral hose Ø 12 mm complete	see Accessories/Tools	
11, 12	Pair of wrenches	see Accessories/Tools	

¹ Year of discontinuation: 2015

² Year of discontinuation: 2016



Continued on next page



Profila P2 (P51)¹, Profila Pro (P53)²

Edge milling machines

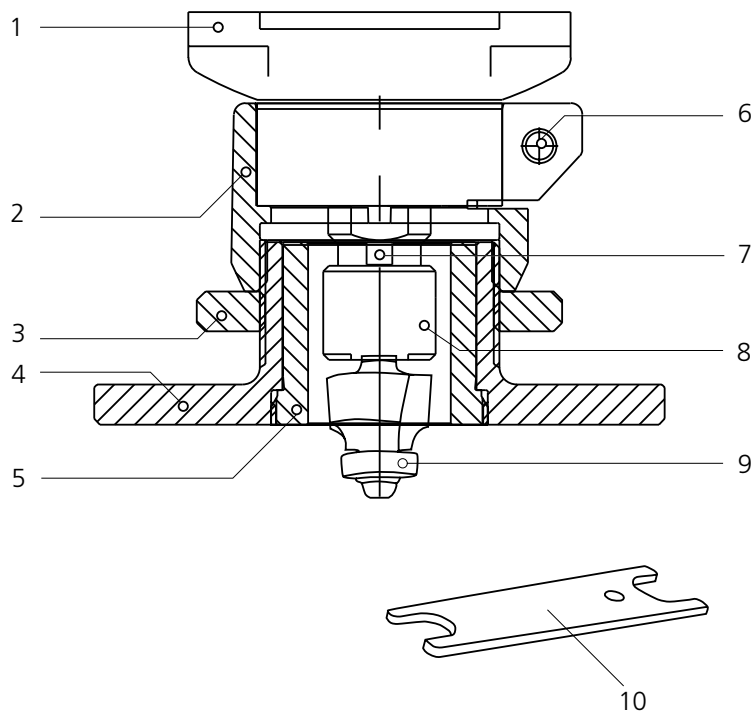
Accessories/Tools

Pos.	Description	Art. No.	Availability
1	Reducing sleeve	341958	31.12.2025
2	Base plate without recess Ø 100/34 mm	121984	31.12.2025
			
5	Collet chuck 6 mm	251986	31.12.2030
5	Collet chuck 8 mm	251988	31.12.2025
	Spiral hose Ø 8 mm complete	251957	31.12.2025
	Spiral hose Ø 12 mm complete	no more available	251953
11,12	Pair of wrenches	no more available	271980
	Dust cover	121900	31.12.2025
	Individually adjustable position, with stopper for the bearing		

¹ Year of discontinuation: 2015

² Year of discontinuation: 2016

Spare parts








Pos.	Description	Art. No.	Availability
1	Electric motor L48 mm 230 V CH	304801CH	31.12.2030
	Electric motor L48 mm 230 V DE	304801	31.12.2030
2	Distance sleeve M42 x 33 mm	341960	31.12.2030
3	Milled nut for base plate Ø 100/34 mm	341956	31.12.2030
4	Guide plate without recess for Profila E	see Accessories/Tools	
	Guide plate with recess for Profila E	see Accessories/Tools	
5	Reducing sleeve	341964	31.12.2030
6	Clamp lever M6 x 25 mm	355625	31.12.2030
7	Collet chuck 6 mm for L50 and L48	see Accessories/Tools	
	Collet chuck 1/4 Zoll for L50 and L48	see Accessories/Tools	
	Collet chuck 8 mm for L50 and L48	see Accessories/Tools	
8	Collet nut for collet chuck L50 and L48	251969	31.12.2030
9	Roanding router, HW, Z2, R 2 mm	see Accessories/Tools	
10	Pair of ended spanner to L50 and L48	see Accessories/Tools	



Profila E (L48)¹

Edge milling machines

Accessories/Tools

Pos.	Description	Art. No.	Availability
4	Guide plate without recess for Profila E	121983	31.12.2025
			
4	Guide plate with recess for Profila E	121982	31.12.2025
			
7	Collet chuck 6 mm for L50 and L48	251960	31.12.2025
			
7	Collet chuck 1/4 Zoll for L50 and L48	251961	31.12.2025
7	Collet chuck 8 mm for L50 and L48	251962	31.12.2025
9	Roanding router, HW, Z2, R 2 mm	131987	31.12.2025
			
10	Pair of ended spanner to L50 and L48	271981	31.12.2025
			
	Dust cover	121900	31.12.2025
	Individually adjustable position, with stopper for the bearing		

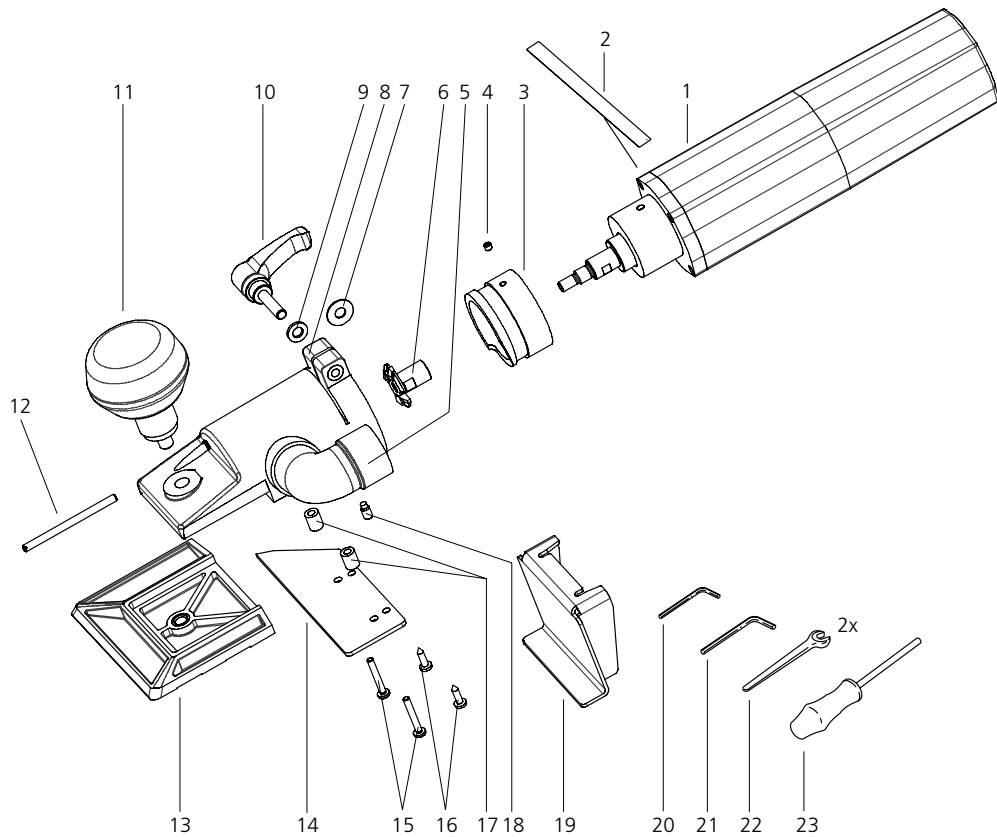
¹Year of discontinuation: 2020



Lamina E2 (L56)¹

Laminate trimmer

Spare parts



Pos.	Description		Art. No.	Availability
1	Electric motor L56, 230 V CH	no more available	305601CH	
	Electric motor L56, 230 V DE	no more available	305601D	
	Electric motor L56, 120 V US	no more available	305601US	
2	Scale for Lamina E		358197	31.12.2024
3, 4	Eccentric ring + screwed pin		251901	31.12.2024
5	Ejector spout 90° for Lamina		321981	31.12.2024
6	HW Form cutter 90° and 35°, Z4, Ø = 30 mm	see Accessories/Tools		
7	Washer	no more available	353690	
9, 10	Clamping lever + U-disc		251903	
11	Ball handle, complete		251904	31.12.2024
12	Screwed pin M4 x 60 mm		357460A	31.12.2024
13	Base plate		331981	31.12.2024
14, 16	Sliding guide with 2 screws		251905	31.12.2024
15	PT-Screws, 2 pieces KA 40 x 25 mm		355425	31.12.2024
16	PT-Screws, 2 pieces KA 40 x 16 mm		355415	31.12.2024
17	Distance bush, 2 pieces		341984	31.12.2024
18	Screwed pin M5 x 10 mm zincd		352250	31.12.2024
16, 19	Square stop with screws		251908	31.12.2024
5, 7, 8, 9, 10, 12, 16, 18	Cutter case, complete		251906	31.12.2024
20	Socket-head key 2 mm	see Accessories/Tools		
21	Socket-head key 2.5 mm	see Accessories/Tools		
22	Fork wrench 10 mm, black	see Accessories/Tools		
23	Torx screwdriver T 20	see Accessories/Tools		

¹Year of discontinuation: 2014



Continued on next page



Lamina E2 (L56)¹

Laminate trimmer

Accessories/Tools

Pos.	Description	Art. No.	Availability
6	HW Form cutter 90° and 35°, Z4, Ø = 30 mm  for Lamina	131980	31.12.2024
20	Socket-head key 2 mm	271942	
21	Socket-head key 2.5 mm 	271943	
22	Fork wrench 10 mm, black	271958	31.12.2024
23	Torx screwdriver T 20	271930	31.12.2027

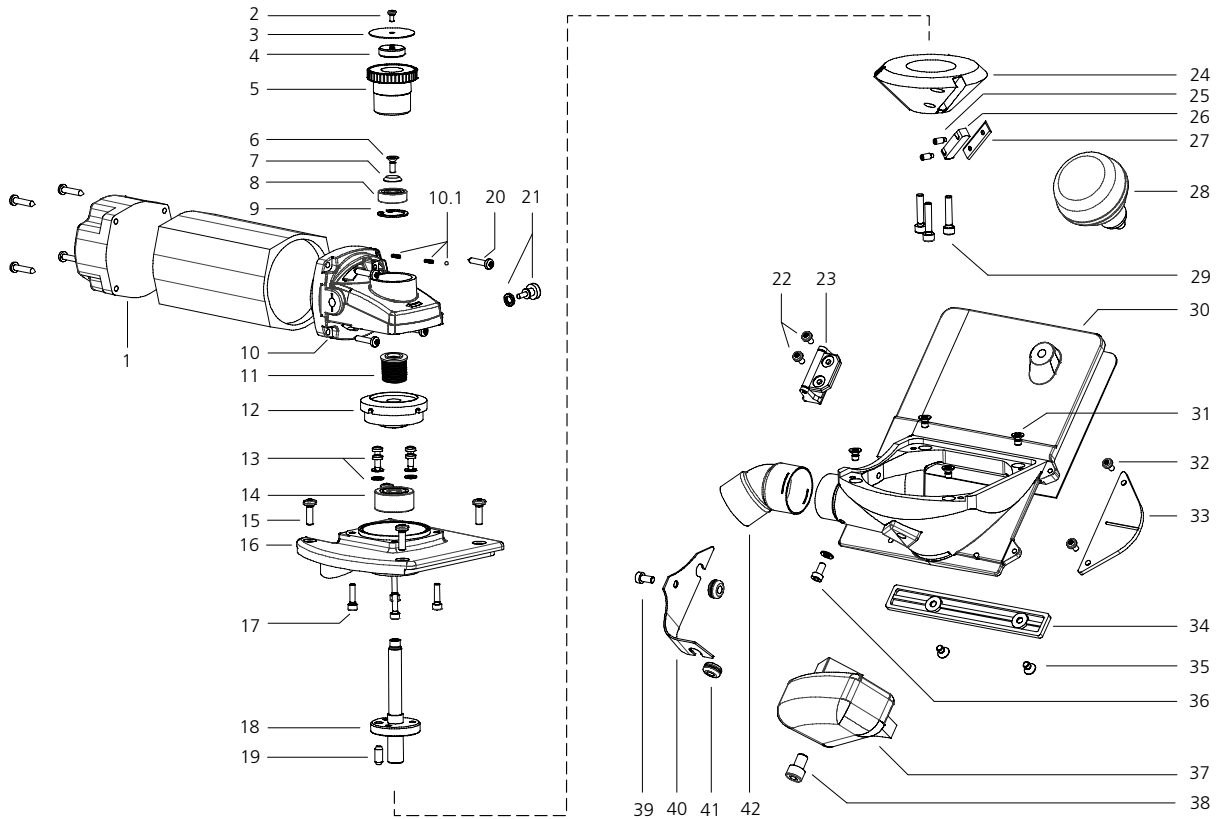
¹ Year of discontinuation: 2014



Cantex Ergo (L63)¹

Flush milling machines

Spare parts



Pos.	Description	Art. No.	Availability
1–21	Electric motor L63 with guide plate, complete 230 V CH	306306CH	31.12.2028
	Electric motor L63 with guide plate, complete 230 V DE	306306D	31.12.2028
	Electric motor L63 with guide plate, complete 120 V US	306306US	31.12.2028
	Electric motor L63 with guide plate, complete 230 V GB	no more available	306306GB
	Electric motor L63 with guide plate, complete 230 V AU	306306A	31.12.2028
1	Motorcap with screwed cable gland (angle) CH	316301CH	31.12.2028
	Motorcap with screwed cable gland (angle) DE	316301D	31.12.2028
	Motorcap with screwed cable gland (angle) US	316301US	31.12.2028
2, 4	Threaded insert, hex key screw M3 × 6 mm	314214	31.12.2028
3	Height scala	321830	31.12.2028
5	Set screw	314213	31.12.2028
6, 7	Supporting foot Cantex	251859	31.12.2028
8	Groove ball bearing 608 ZZ	313215	31.12.2030
9	Safety ring	351044	31.12.2030
10	Gear box case with spindle lock	316202	31.12.2029
11	Disk spring with spacing disk	314042	31.12.2030
12	Ring gear, pin and pinion	316031	31.12.2030
13	Filister-head screw M4 × 8 mm	352407	31.12.2028
14	Angular ball bearing 3200B-2RS	313230	31.12.2028
15	Linsenschraube M5 × 16 mm	352518	31.12.2028
13, 14, 16, 17	Guide plate, complete	251858	31.12.2028
17	Screw M4 × 16 mm	352418	31.12.2028
18, 19	Milling spindle	316033	31.12.2028
20	Tapping screw B, 3.5 x 25 mm, 4 pcs.	316018	31.12.2029
21	Spindle lock, not available individually see pos. 10		
22, 23	Supporting foot Cantex	251851	31.12.2028

¹ Year of discontinuation: 2018

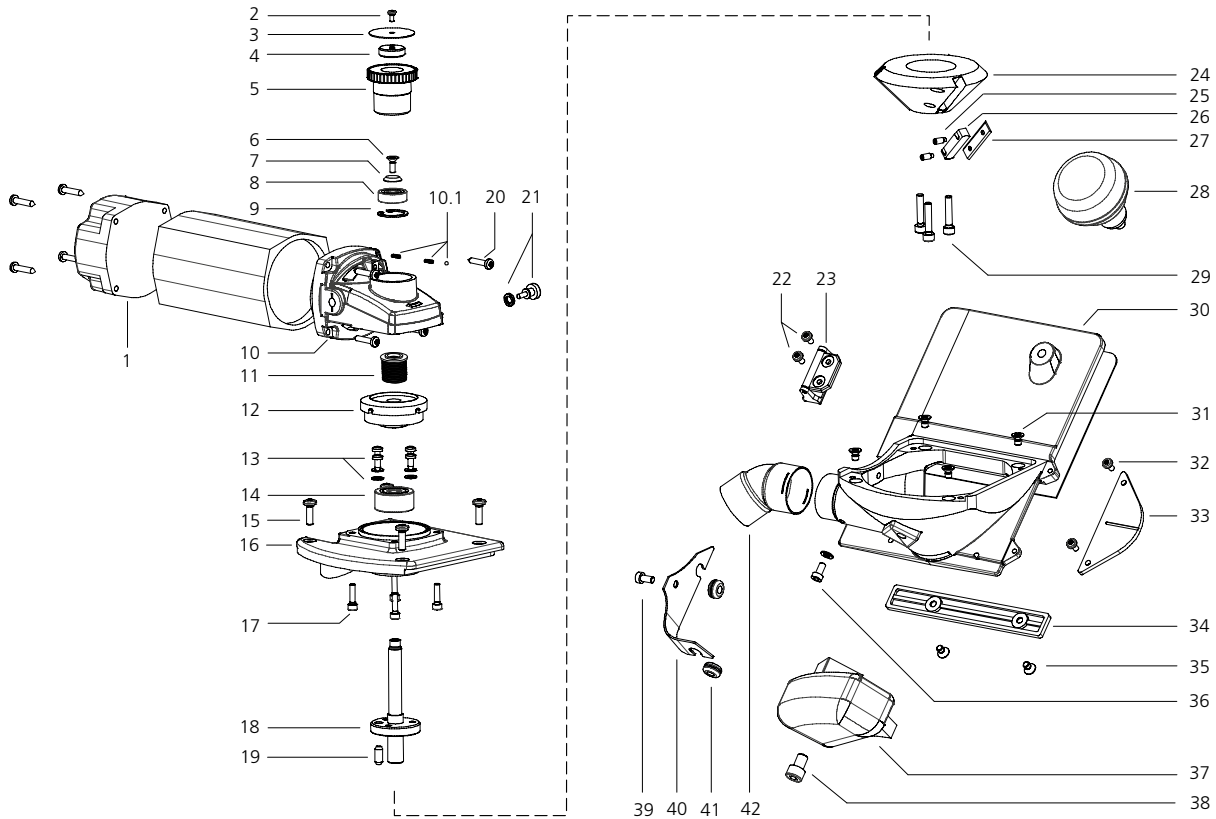
Continued on next page



Cantex Ergo (L63)¹

Flush milling machines

Spare parts



Pos.	Description	Art. No.	Availability
24	Knife-head complete (red)	see Accessories/Tools	
25	Screwed pin M6 × 10 mm for clamping wedge, for knife-head red (131825)	see Accessories/Tools	
26	Clamping wedge, for knife-head Z 3, for knife-head red (131825)	see Accessories/Tools	
27	Reversing blades, 45 × 12 × 1.5 mm, 55 degrees, from 2006, Set with 3 pieces	see Accessories/Tools	
	Reversing blades, 45 × 12 × 1.5 mm, 45 degrees, before 2006, Set with 3 pieces	see Accessories/Tools	
	Screwed pin M5 × 12 mm z for clamping wedge, for knife-head silver (321821)	see Accessories/Tools	
	Clamping wedge Z 3, for cutter silver silver (321821)	see Accessories/Tools	
28	Ball handle	252028	31.12.2028
29	Cheese head screw M5 × 25 mm	352527	31.12.2028
30-36, 42	Cutter case, complete, with supporting foot and sliding guide	251863	31.12.2028
32, 33	Chip protection with screws	251850	31.12.2028
34, 35	Sliding guide, complete, with screws	251852	31.12.2028
36	Filister-head screw M 5 × 6 mm	352505	31.12.2028
37	Handle with switch	251848	31.12.2033
38	Cheese head screw M8 × 14 mm	352814	31.12.2028
39-41	Cover plate, complete	251849	31.12.2028
43	Systainer II T-Loc with deposits for Cantex Ergo	see Accessories/Tools	

¹ Year of discontinuation: 2018





Continued on next page



Cantex Ergo (L63)¹

Flush milling machines

Accessories/Tools

Pos.	Description	Art. No.	Availability
24	Knife-head Z3 with reversing blades, 1 Socket-head key 3 mm (271961)	131825	
	Socket-head key 3 mm	271961	31.12.2024
25	Screwed pin M6 x 10 mm for clamping wedge, for knife-head red (131825)	357611	31.12.2023
26	Clamping wedge for knife-head Z 3 for knife-head red (131825)	321827	31.12.2023
27	Reversing blades, 45 x 12 x 1.5 mm, 55 degrees, from 2006, Set with 3 pieces	131822	31.12.2027
			
27	Reversing blades, 45 x 12 x 1.5 mm, 45 degrees, before 2006, Set with 3 pieces	131823	31.12.2027
			
	Parallel guide stop For efficient flush-milling of protruding wood edges on materials with finished surfaces (melamine, veneer). Prevents cutting into the finished surface!	for Cantex Ergo, S2 121290	31.12.2023
	Systainer II T-Loc with deposits for Cantex Ergo	331574	31.12.2023

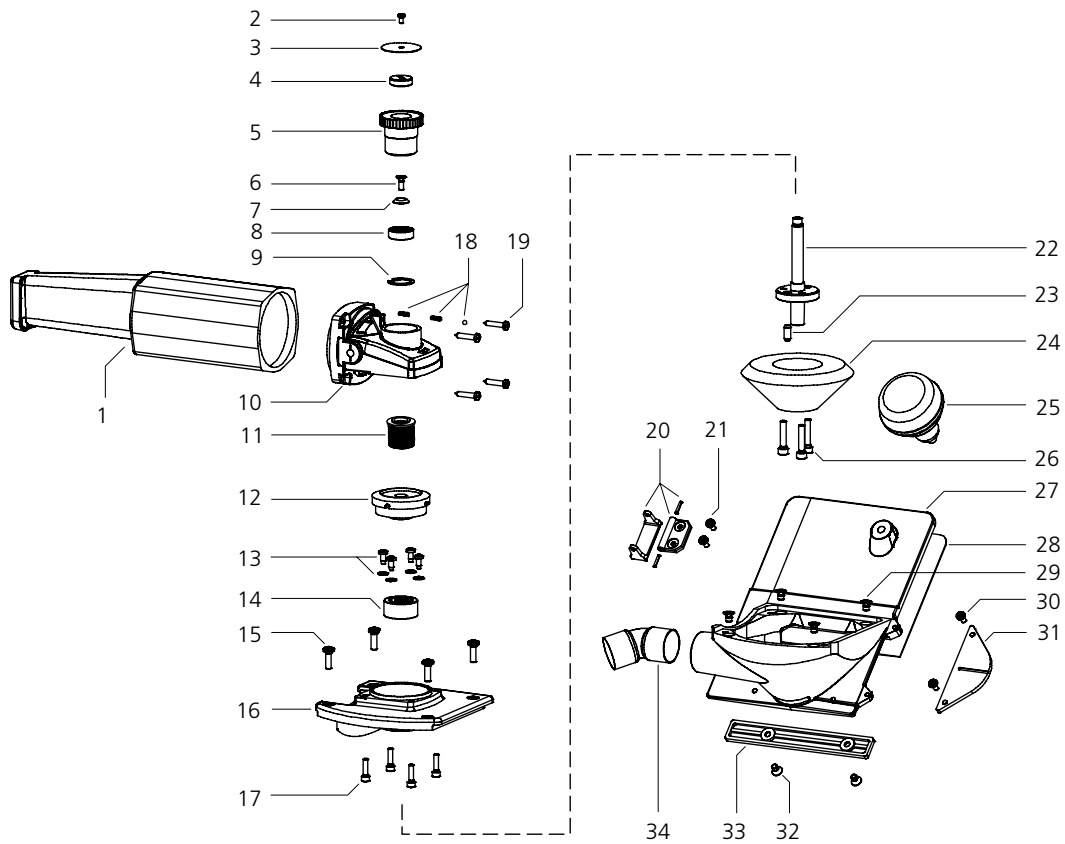
¹Year of discontinuation: 2018



Plano 45 S2 (L60 S2)¹

Flush milling machines

Spare parts



Pos.	Description	Art. No.	Availability
1–19, 22, 23	Electric motor L60 S2 complete, with guide plate 230 V CH	306005CH	31.12.2027
	Electric motor L60 S2 complete, with guide plate 230 V DE	306005D	31.12.2027
	Electric motor L60 S2 complete, with guide plate 120 V US	306005US	31.12.2027
2, 4	Threaded insert, hex key screw M3 × 6 mm	314214	31.12.2028
3	Height scale	321830	31.12.2028
5	Set screw	314213	31.12.2028
6, 7	Supporting foot	251859	31.12.2028
8	Groove ball bearing 608 ZZ	313215	31.12.2030
10	Gear box case with spindle lock	316202	31.12.2029
11	Disk spring with spacing disk	314042	31.12.2030
12	Ring gear, pin and pinion (S2)	316031	31.12.2030
13	Filister-head screw M4 × 8 mm	352407	31.12.2028
14	Groove ball bearing 3200B-2RS	313230	31.12.2028
15	Filister-head screw M 5 × 16 mm	352518	31.12.2028
13, 14, 16, 17	Guide plate, complete	251858	31.12.2028
17	Cheese head screw M4 × 16 mm	352418	31.12.2028
18	Ball and springs for height adjustment	314043	31.12.2030
20, 21	Supporting foot, complete, with screws	251851	31.12.2028
22, 23	Milling spindle	316033	31.12.2028
24, 26	Knife-head Z3 with reversing blades	see Accessories/Tools	
24.1	Reversing blades, Set with 3 pieces	see Accessories/Tools	
24.2	Srew for fixing the knives	see Accessories/Tools	
24.3	Clamping wedge for knife-head Z3	see Accessories/Tools	

¹Year of discontinuation: 2017

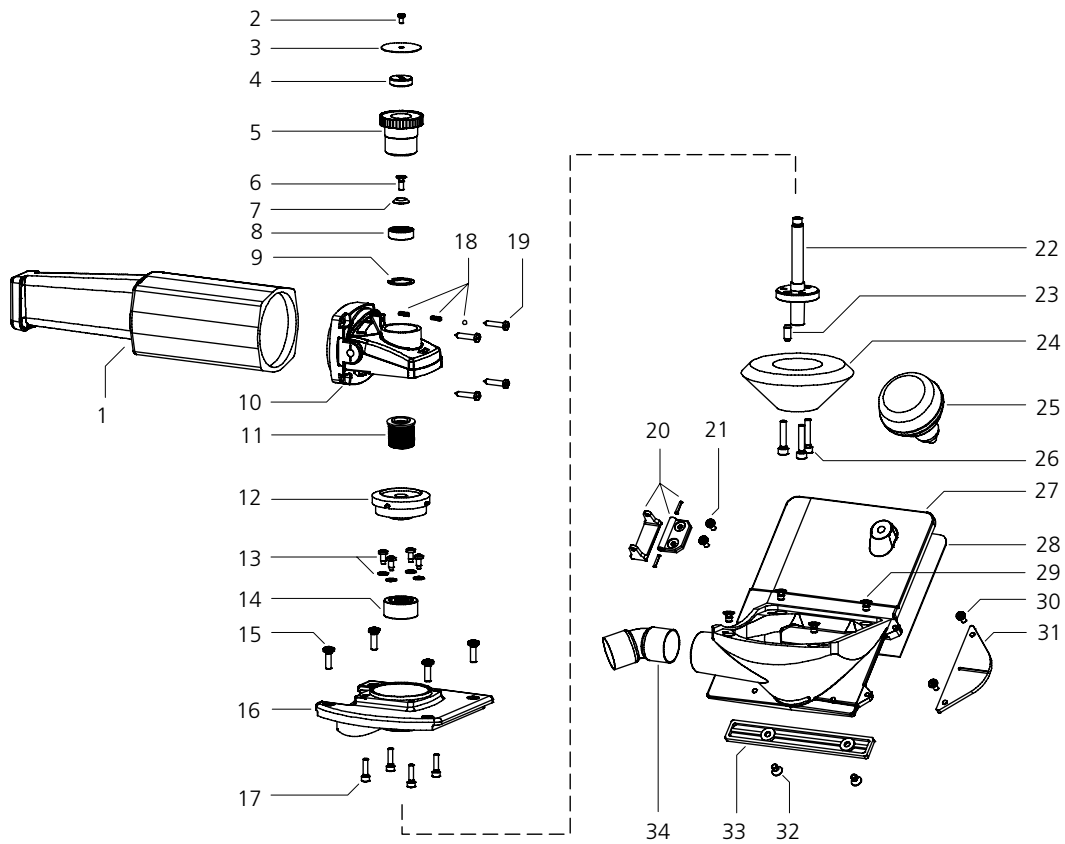
Continued on next page



Plano 45 S2 (L60 S2)¹

Flush milling machines

Spare parts



Pos.	Description	Art. No.	Availability
24.4	Screwed pin M5 x 12 mm for clamping wedge	see Accessories/Tools	
25	Ball handle	252028	31.12.2028
26	Cheese head screw M5 x 25 mm	352527	31.12.2028
27-34	Exchange cutter case, complete	251853A	31.12.2027
	Cutter case complete with chip protection and supporting foot	251854	31.12.2027
30, 31	Chip protection with screws	251850	31.12.2028
32, 33	Sliding guide for Cantex, complete, with screws	251852	31.12.2028
34	Ejection pipe 45°	321828	31.12.2027

¹Year of discontinuation: 2017


Continued on next page



Plano 45 S2 (L60 S2)¹

Flush milling machines

Accessories/Tools

Pos.	Description	Art. No.	Availability
24, 26	Knife-head Z3 with reversing blades, Socket-head key 3 mm (271961)	131825	
24.1	Reversing blades, Set with 3 pieces	131822	31.12.2028
			
24.2	Srew for fixing the knives	352356	31.12.2027
24.3	Clamping wedge for knife-head Z3	321823	
24.4	Screwed pin M5 x 12 mm for clamping wedge	357511	31.12.2028
	Socket-head key 3 mm	271961	31.12.2024

¹Year of discontinuation: 2017



3S Pa¹

Special machine

Spare parts

Description	Art. No.	Availability
Handle	251016	31.12.2025
Guide	254552	31.12.2025
Front plate plastic	251322	31.12.2030
Depth adjuster complete	251412	31.12.2025
Depth adjusting sleeve with clamping screw	251414	31.12.2025
Base plate	251420	31.12.2025
Extractor stub LMA-74 with screws	281804	
Tension spring	351110	
Sliding insert for 3S, 3 mm	251423	31.12.2025
Sliding insert for 3S, 5 mm	251425	31.12.2025
Sliding insert for 3S, 7 mm	251427	31.12.2025

¹Year of discontinuation: 2015



Lamello AG
Joining technology
Hauptstrasse 149
CH-4416 Bubendorf

Tel. +41 (0)61 935 36 36
Fax +41 (0)61 935 36 06
info@lamello.com
www.lamello.com